



TOV





Follow us!

Show your new purchase some love by tagging it on our Instagram!

 @tovfurniture

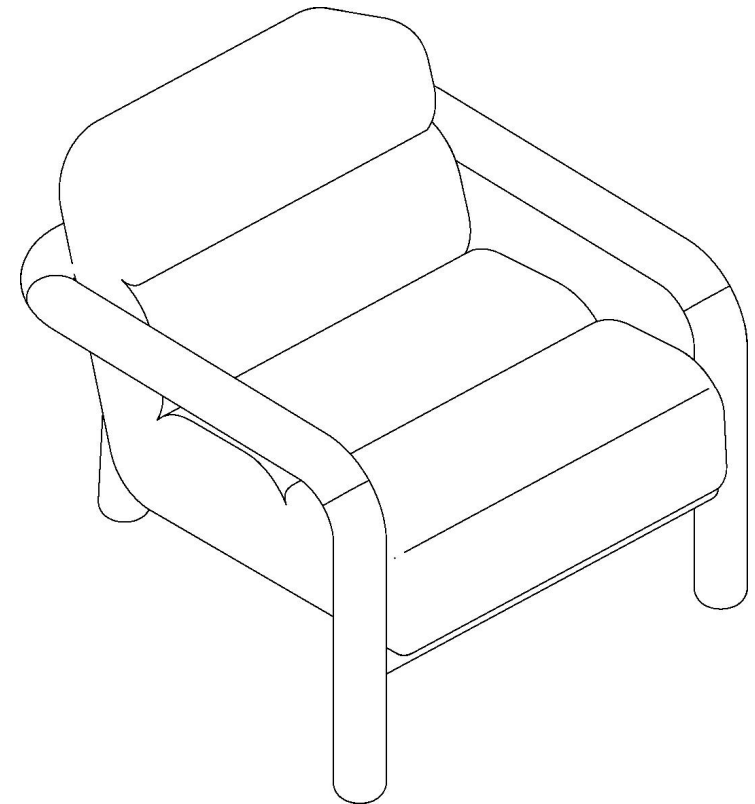
 516-888-3355

 hello@tovfurniture.com

 www.tovfurniture.com

If the future is female—your furniture should be, too. No mahogany in sight. Sexy settees shaped like lips. Price points for any budget. At TOV, we do things differently.

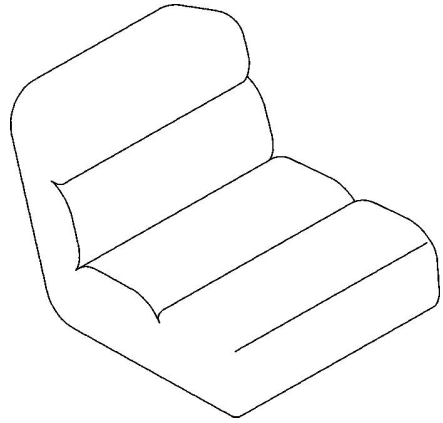
TOV



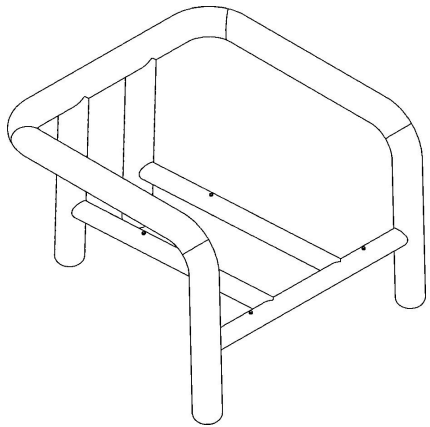
BEKAH ACCENT CHAIR

DON'T BE BORING.

Hardware and Components



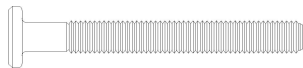
----- **A** x1pc



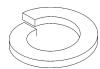
----- **B** x1pc



----- **C** x1pcs



----- **D** x4pcs



----- **E** x4pcs



----- **F** x4pcs

STEP 1

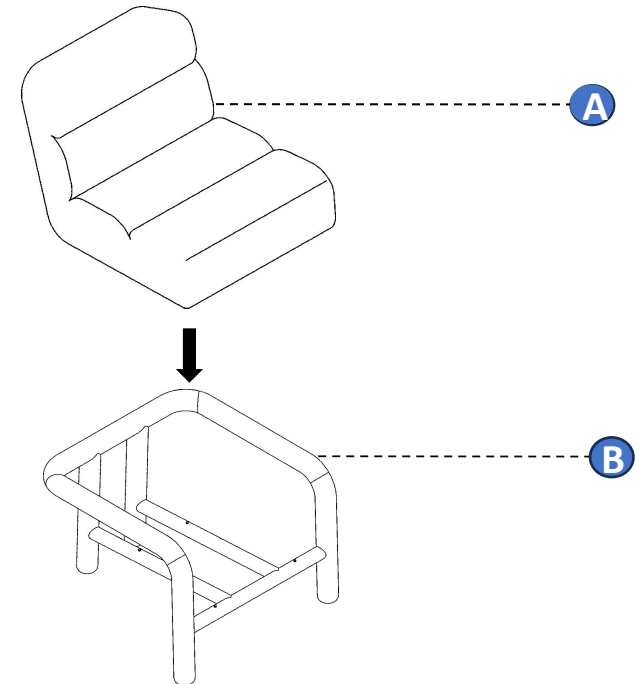
Open box of hardware and legs.

This hardware box will be a smaller box inside of the main box. Look for the red streamer.



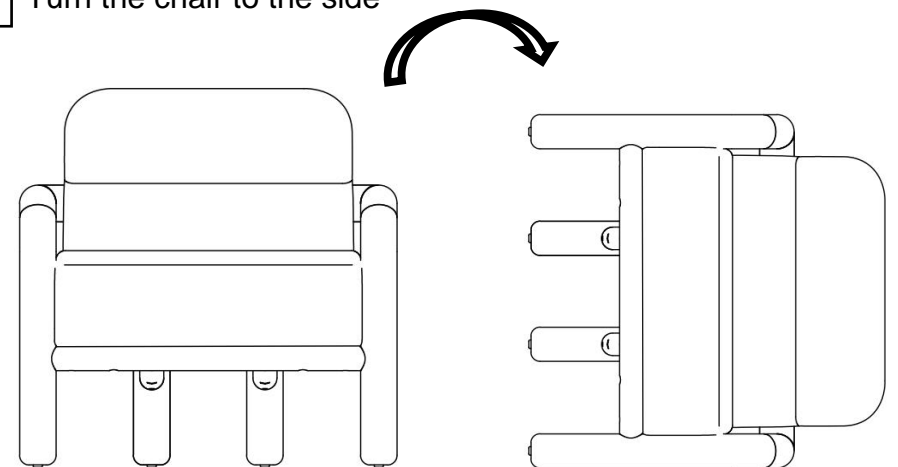
STEP 2

Place the seat (A) into the seat frame (B)

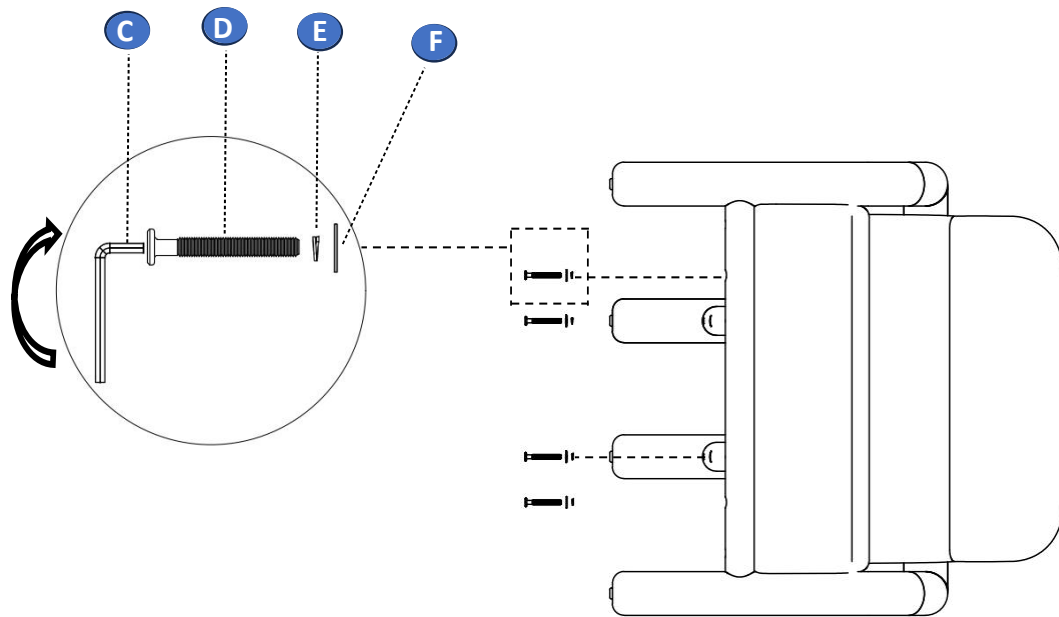


STEP 3

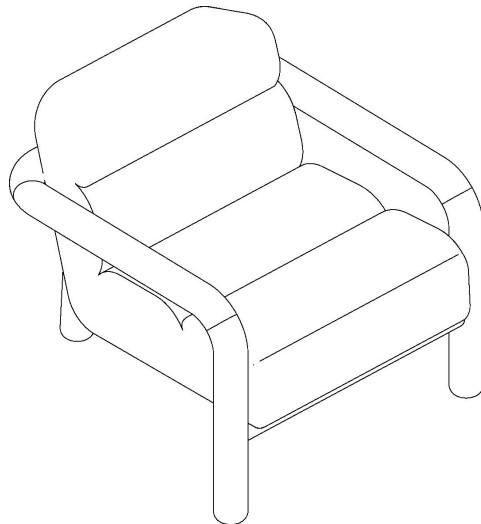
Turn the chair to the side



STEP 4 Secure the chair with hardware (D), (E) & (F) by wrench (C).



STEP 5 Complete



Stuck?
Contact our team @ 516-888-3355
Scan for product care!

