



TOV





Follow us!

Show your new purchase some love by tagging it on our Instagram!

 @tovfurniture

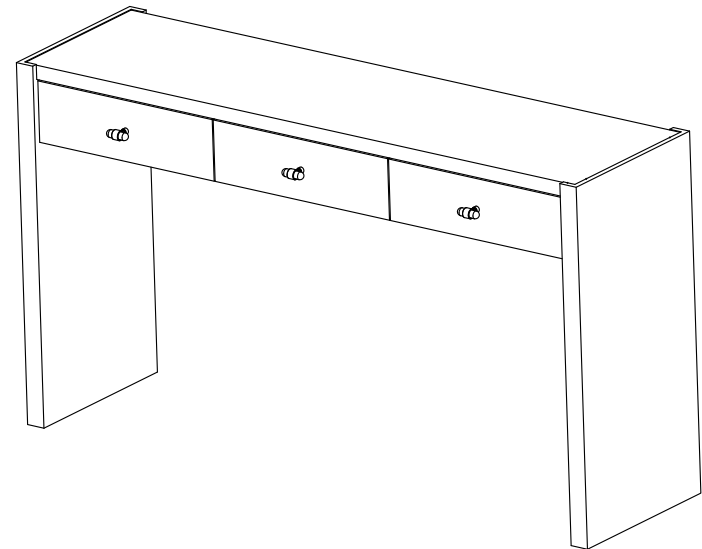
 516-888-3355

 hello@tovfurniture.com

 www.tovfurniture.com

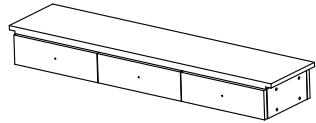
If the future is female—your furniture should be, too. No mahogany in sight. Sexy settees shaped like lips. Price points for any budget. At TOV, we do things differently.

TOV

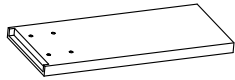


BRANDYSS CONSOLE
ASSEMBLY INSTRUCTIONS

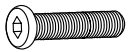
Hardware and Components



..... A x 1 pc



..... B x 2 pc



..... C x 8 pcs



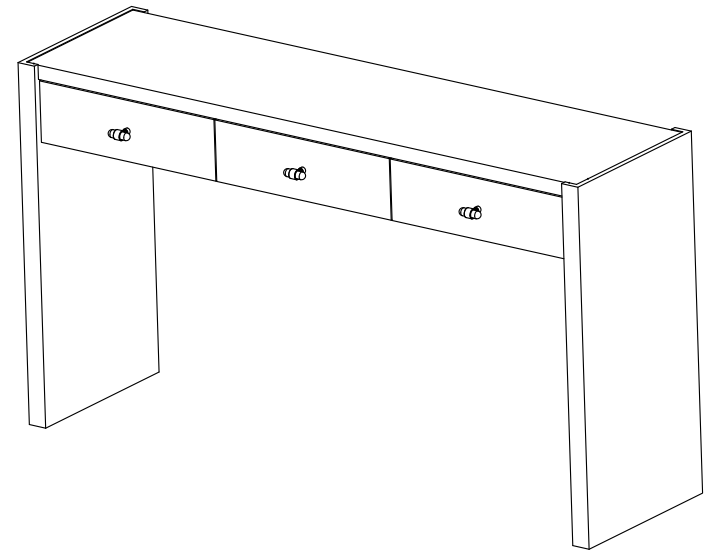
..... D x 8 pcs



..... E x 8 pcs



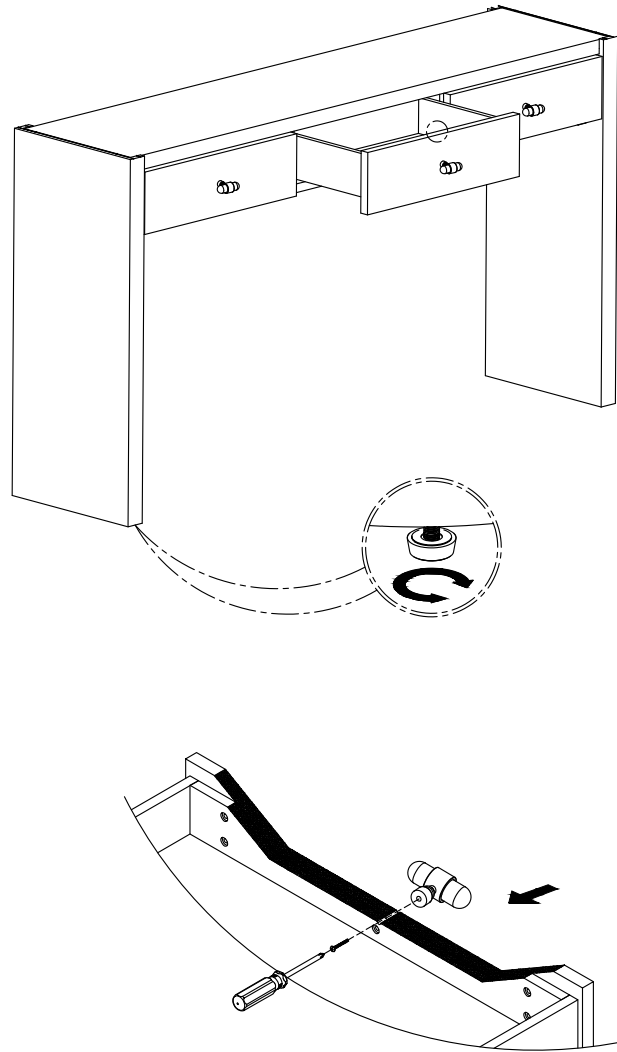
..... F x 1 pc Allen Key - 4mm



Stuck?
Contact our team @ 516-888-3355
Scan for product care!



Step 5

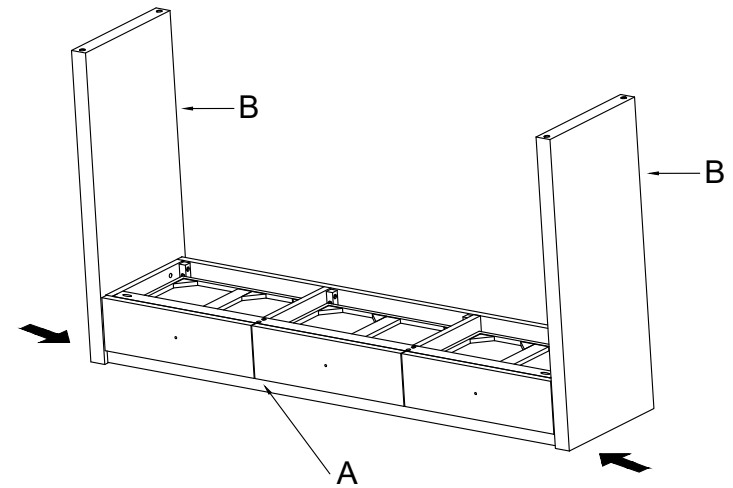


Step 1
Open box of hardware and legs.

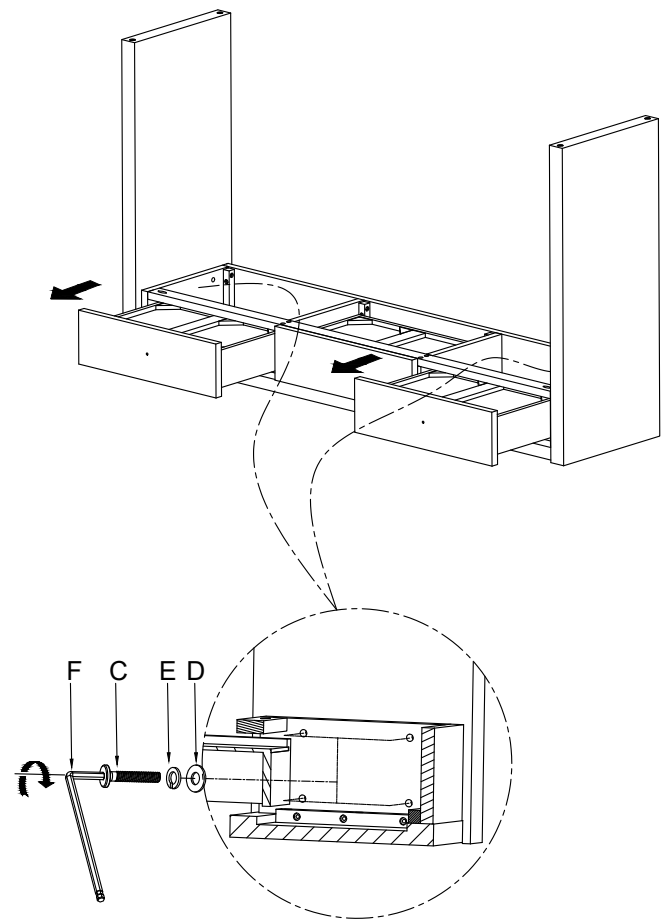
This hardware box will be a smaller box inside of the main box. Look for the red streamer.



Step 2



Step 3



Step 4

