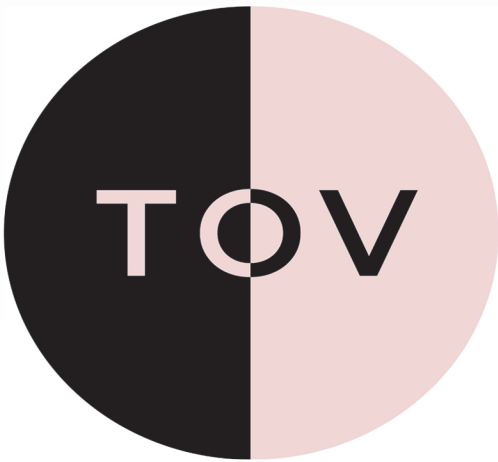


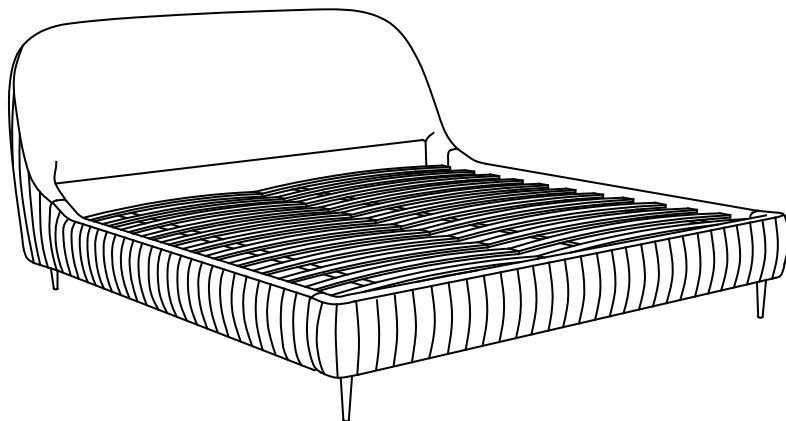
DENISE BED




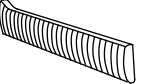
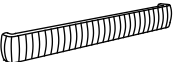
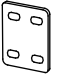




# DENISE

---




## Assembly Instructions



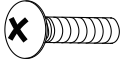
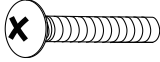

## PARTS LIST

LABEL	PICTURE	DESCRIPTION	QTY
A		Headboard	1
B		Sideboard	2
C		Footboard	1
D		Iron Plate	4
E		Center Support Bar	1
F		Mid Leg	3
G		Bed Slat	2
H		Leg	4

## HARDWARE

LABEL	PICTURE	DESCRIPTION	QTY
a		Metal Gasket	36
b		Screw M8x30	36
c		Wrench	1

# HARDWARE

LABEL	PICTURE	DESCRIPTION	QTY
1		Screw M8x30	12
2		Screw M8x50	3
3		Screwdriver	1

## BEFORE BEGINNING ASSEMBLY:



*Read instructions cover to cover*



*Have two adults on hand for assembly*



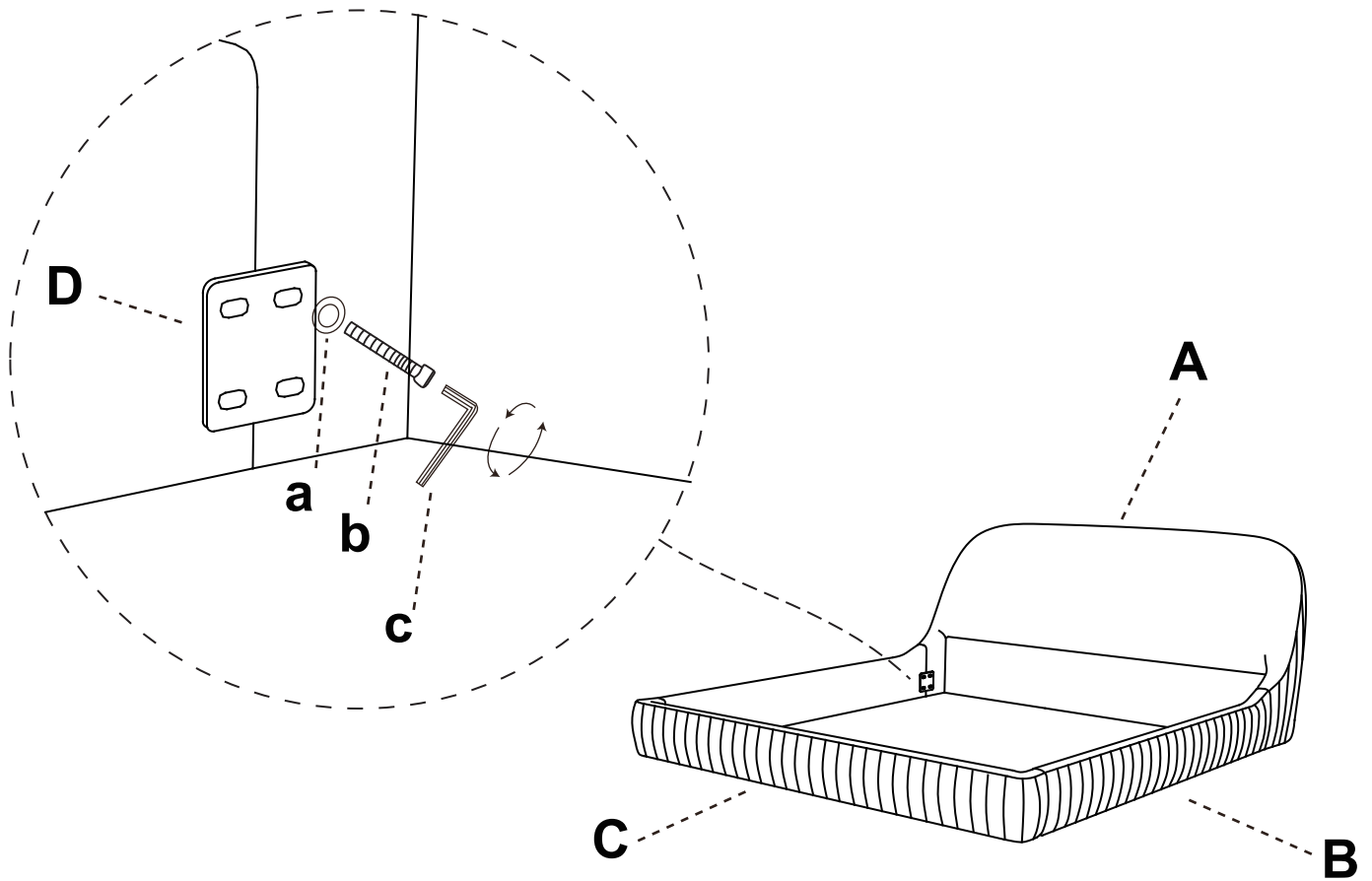
*Do NOT assemble on flooring or carpet. Assemble on a clean non-marring surface (ex: packing foam)*



*Save all packaging until assembly is completed*

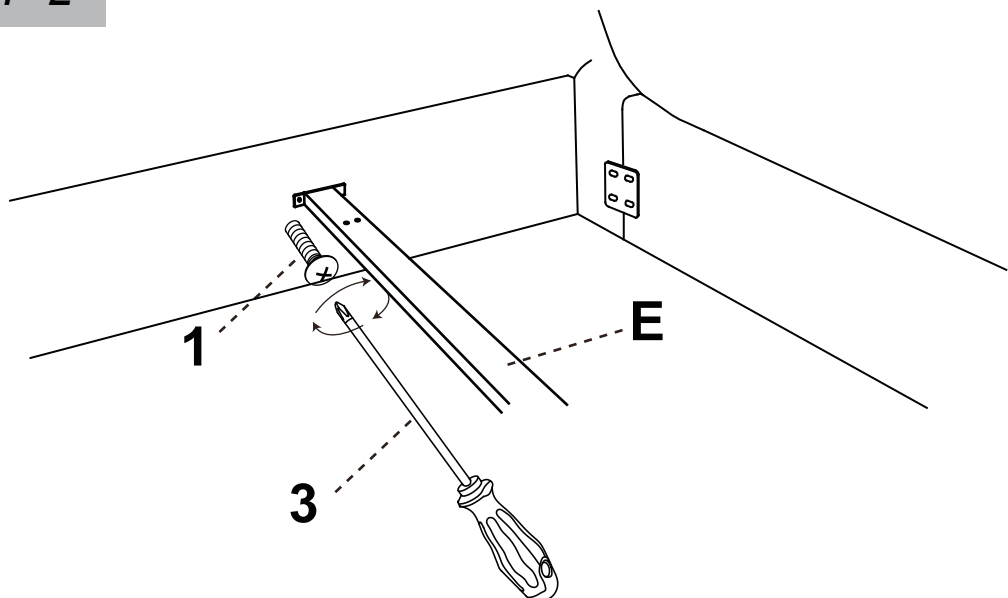
# ASSEMBLY STEPS

## STEP 1



> Using the included hardware, assemble the bed frame as shown.

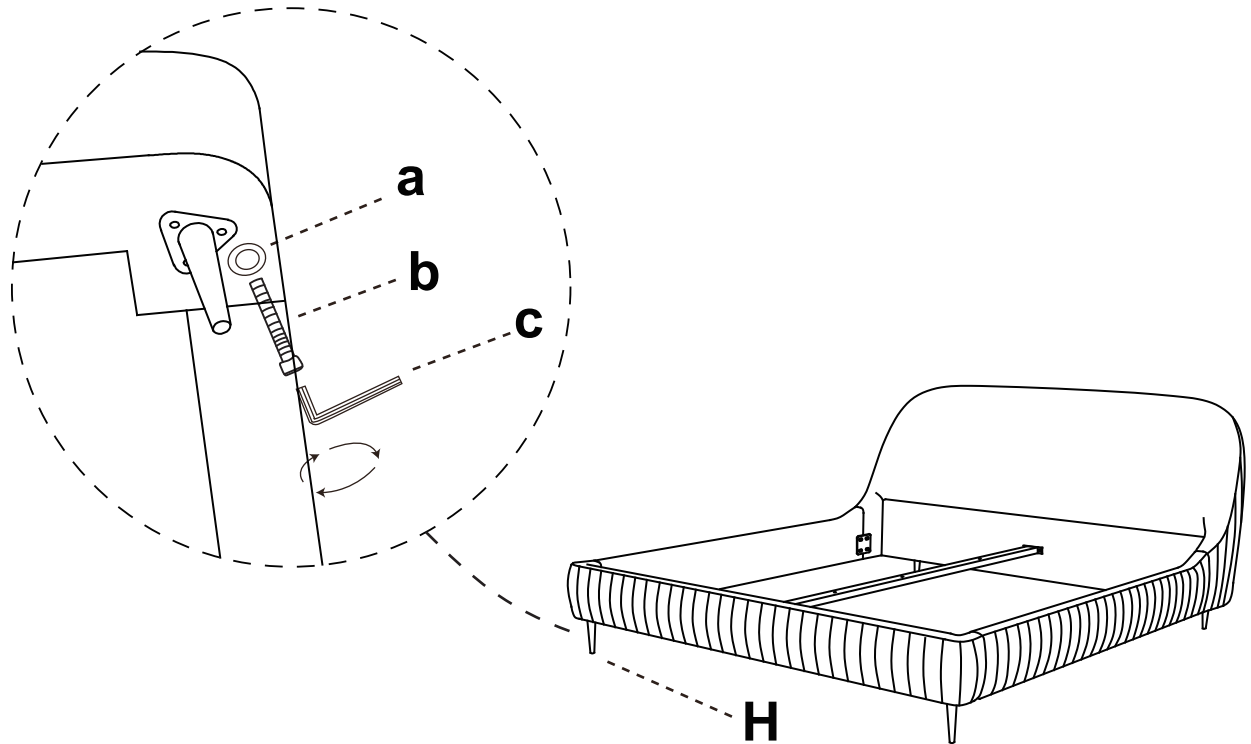
## STEP 2



> Attach the center support bar as shown.

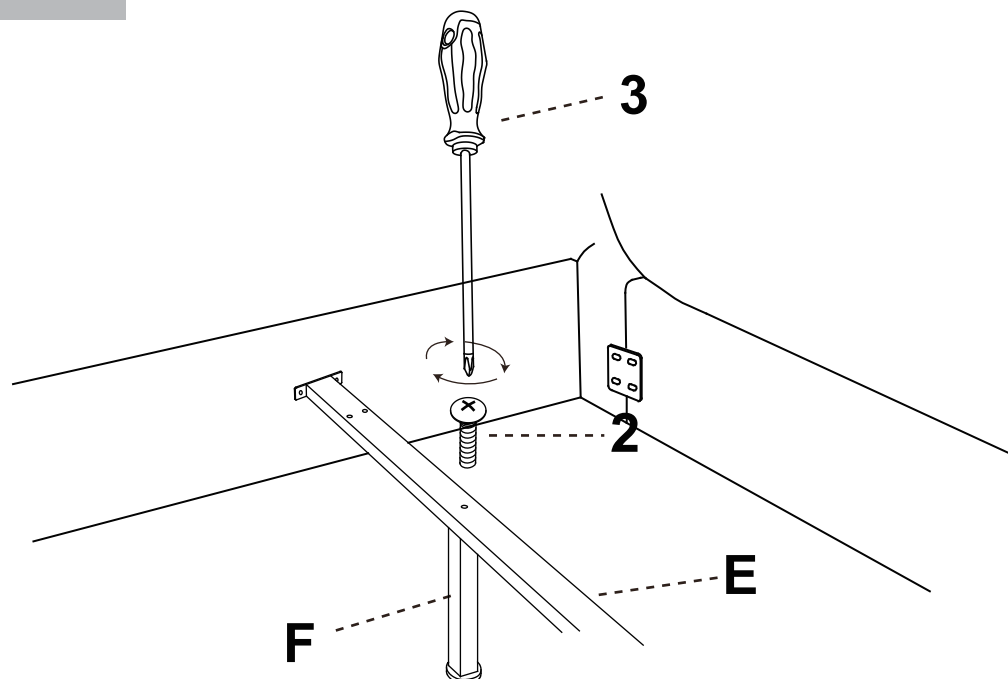
# ASSEMBLY STEPS

## STEP 3



> Attach the legs as shown.

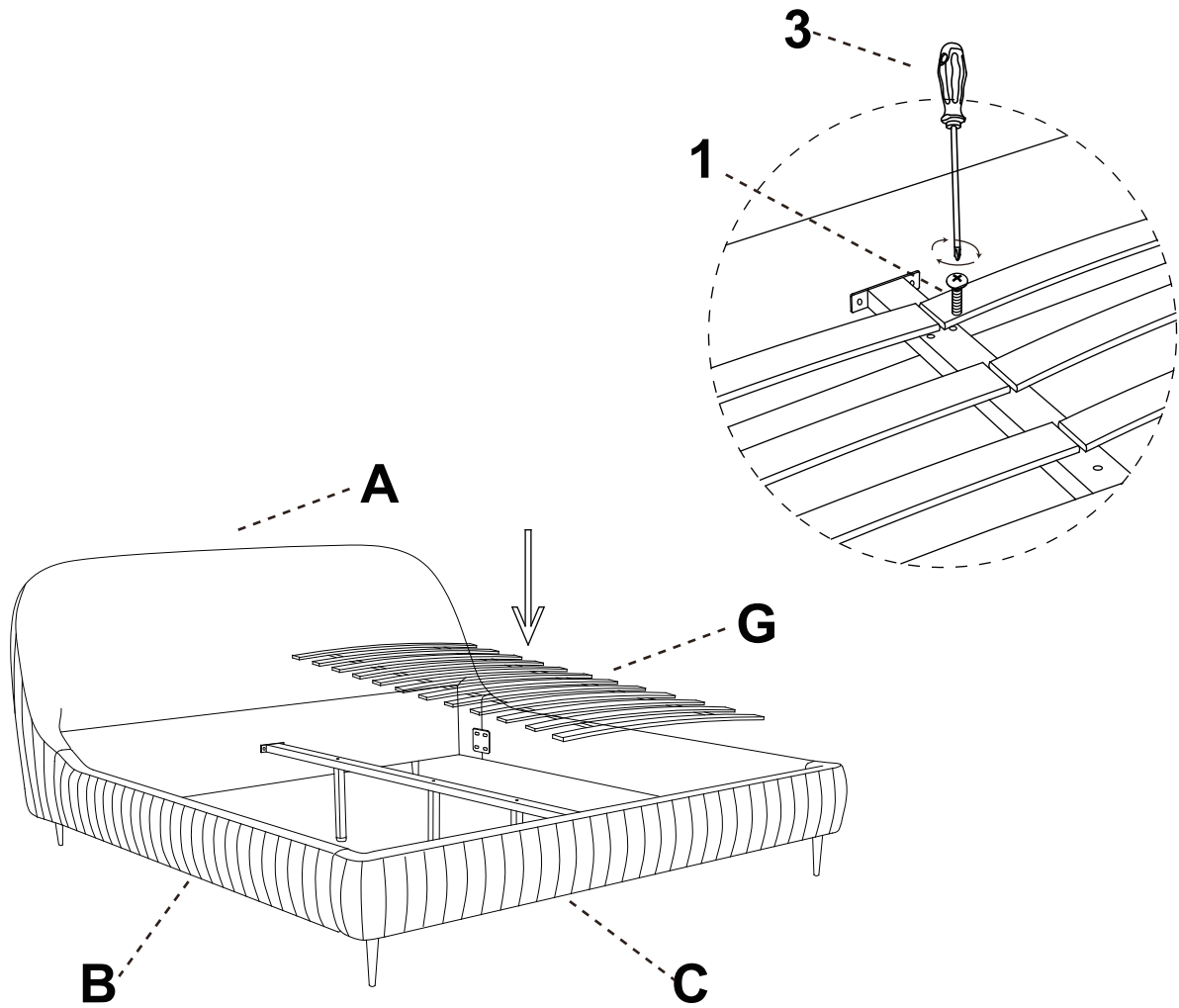
## STEP 4



> Attach the middle legs as shown.

# ASSEMBLY STEPS

## STEP 5



- > Screw the bolts (1) into the pre-drilled holes on the support bar to secure the slats in place.

## CARE & MAINTENANCE



**Do not put hot items directly on furniture surface.**



**Do not clean furniture with harsh cleansers or polish.**



**Dust and wipe up spills using a clean, non-colored, lint-free cloth.**



**Stains may be removed with mild soap solution and a damp cloth**



**Do not place furniture under direct sunlight.**



**Do not place furniture near heating or cooling vents.**



**Do not write on furniture without a padded barrier to protect the surface.**



**Do not place furniture outside, for indoor use only.**