



TOV





Follow us!

Show your new purchase some love by tagging it on our Instagram!

 @tovfurniture

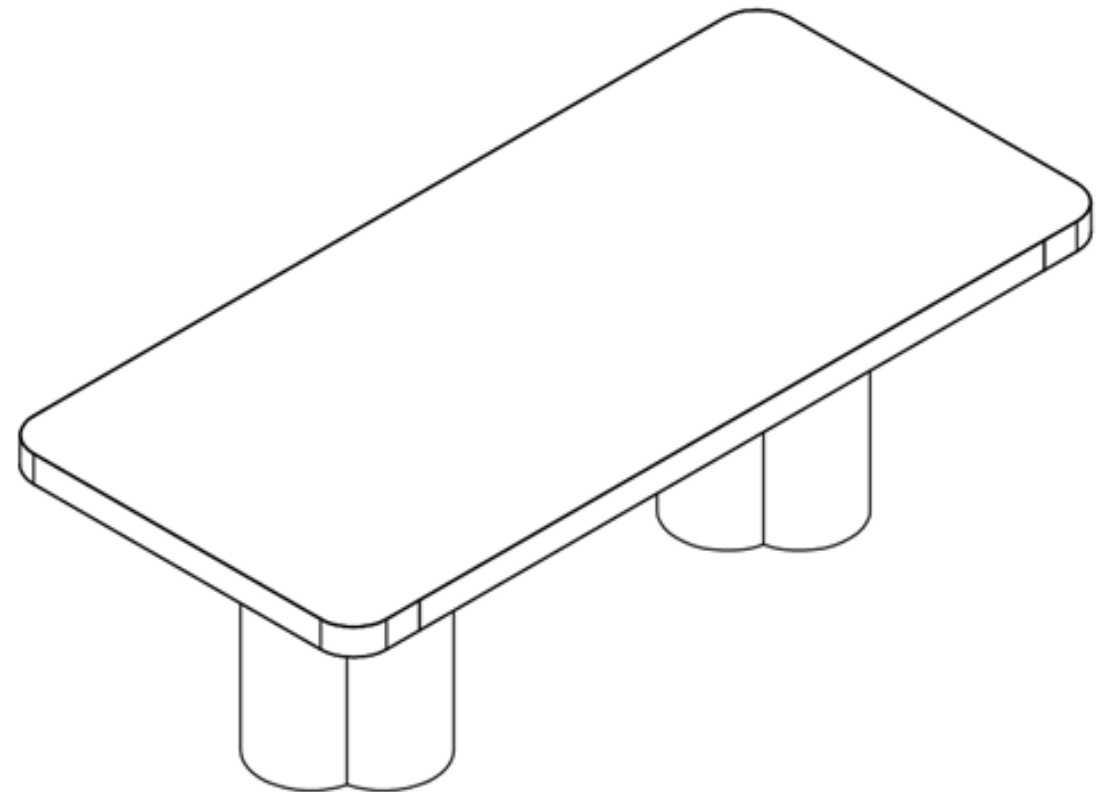
 516-888-3355

 hello@tovfurniture.com

 www.tovfurniture.com

If the future is female—your furniture should be, too. No mahogany in sight. Sexy settees shaped like lips. Price points for any budget. At TOV, we do things differently.

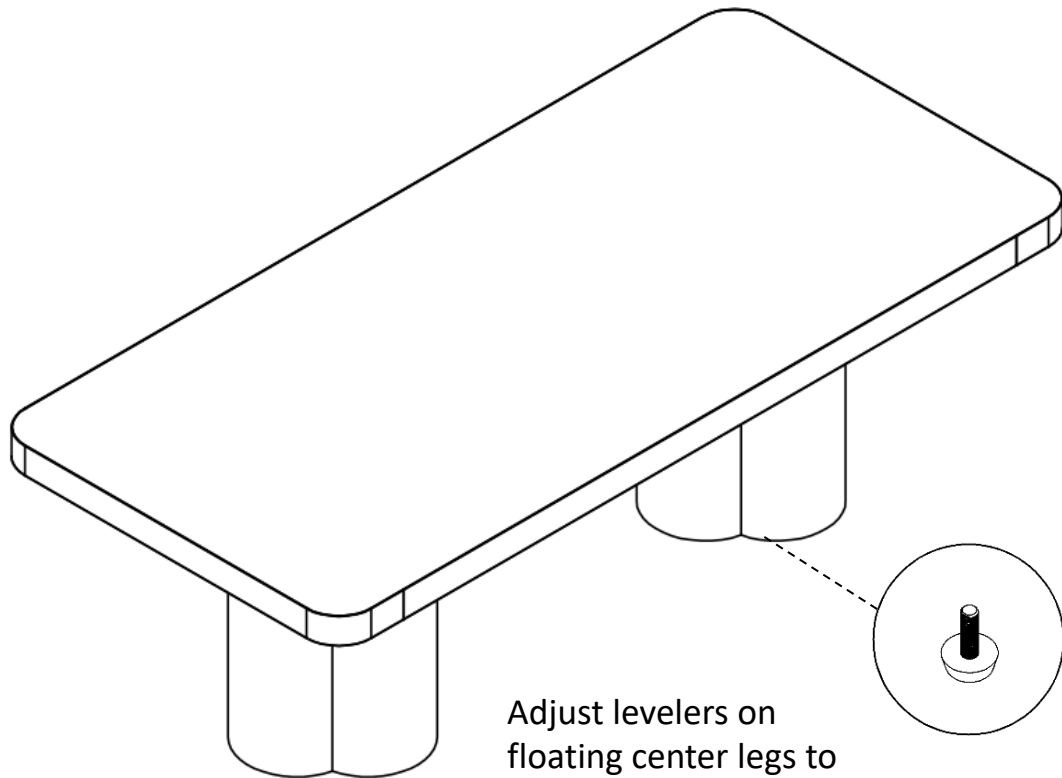
TOV



BAMBI DINING TABLE

DON'T BE BORING.

FINISH

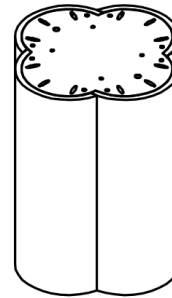


Adjust levelers on floating center legs to allow for a 2-3mm clearance

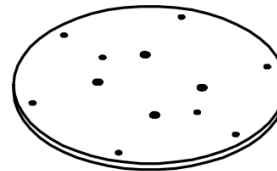
Stuck?
Contact our team @ 516-888-3355
Scan for product care!



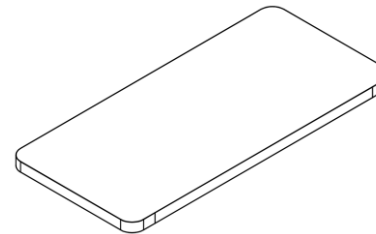
Hardware and Components



A x2pc



B x2pcs



C x1pc



D x20pcs



E x20pc



F x20pcs



G x1pc

STEP 1

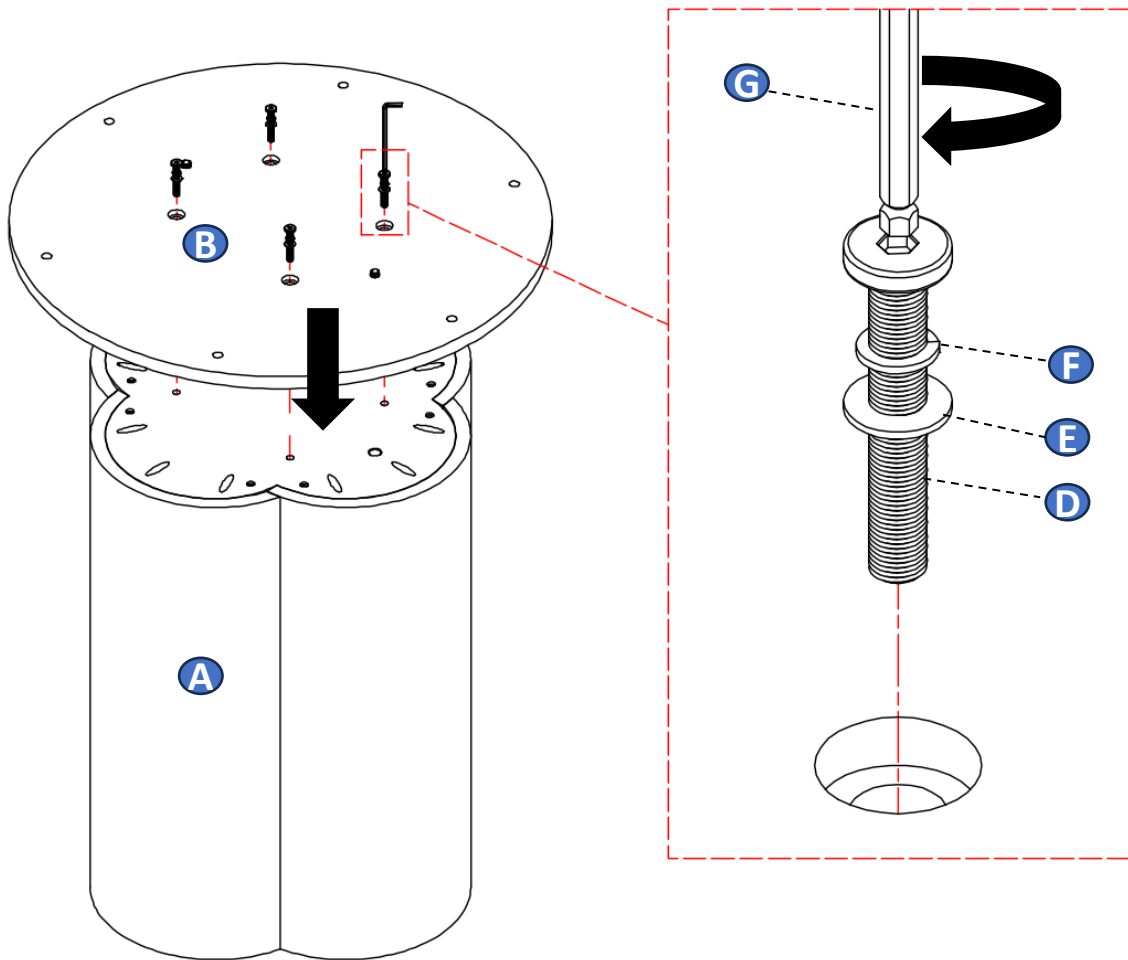
Open box of hardware and legs.

This hardware box will be a smaller box inside of the main box. Look for the red streamer.



STEP 2

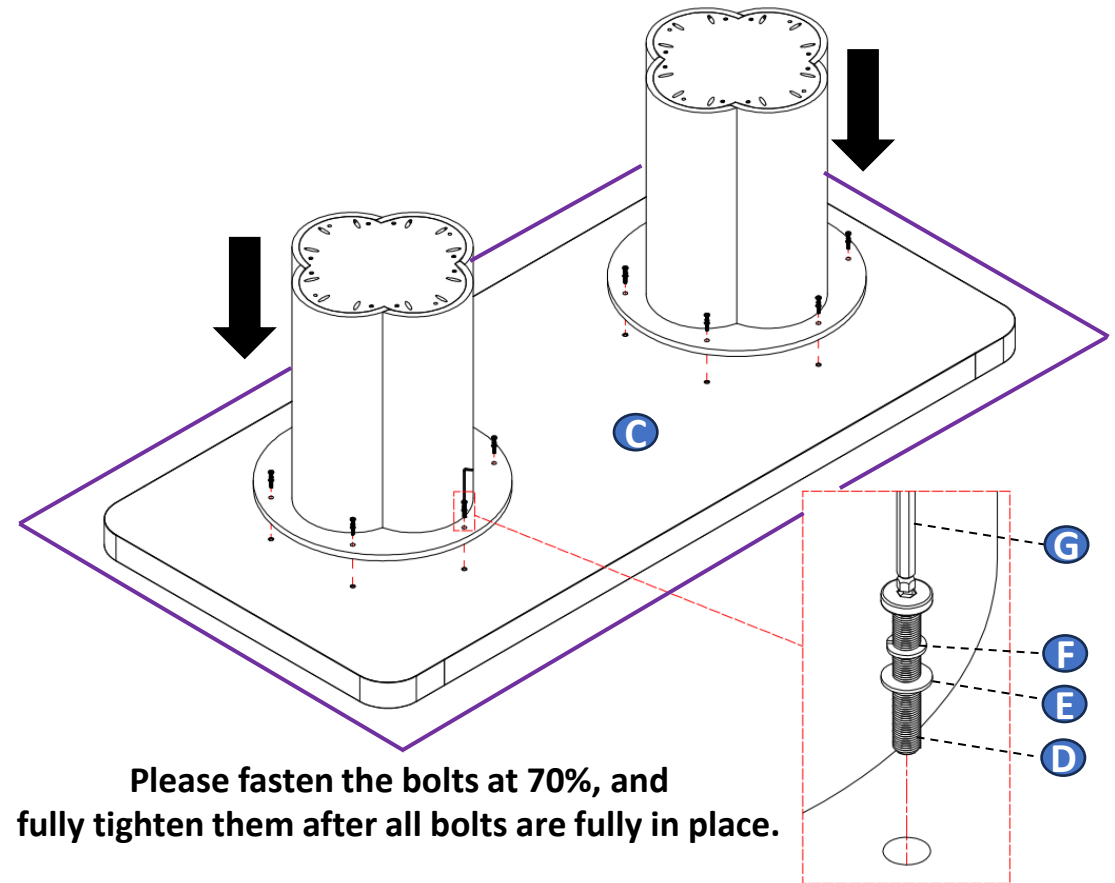
- 1) Align to the correct position of insert holes, attach the support board (B) to the top of both legs (A), and secure with hardware (D),(E) & (F) with Allen key (G).



Please fasten the bolts at 70%, and fully tighten them after all bolts are fully in place.

STEP 3

- 1) Place the table top (C) faced down on a clean, non marring surface (i.e. packing foam)
- 2) Place both legs onto table top (C), align with correct location of insert holes, secure to the table top with hardware (D),(E) & (F) by Allen key (G)



Please fasten the bolts at 70%, and fully tighten them after all bolts are fully in place.

STEP 4

- Turn the table around to the upright position with care.

