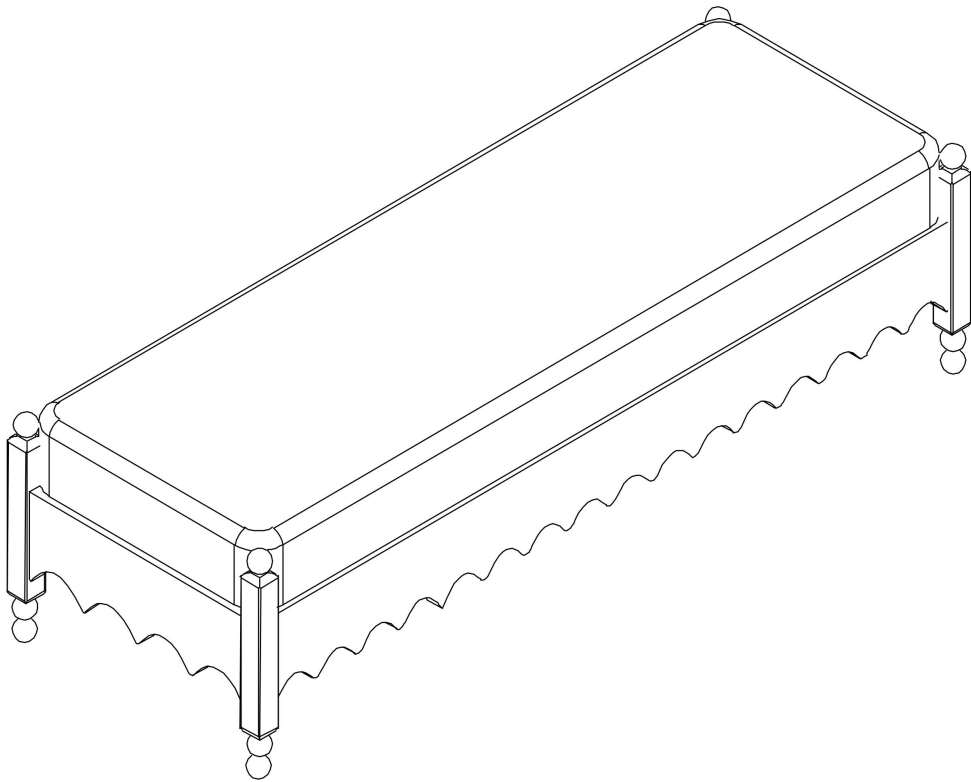


**TOV**



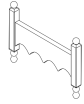
# **Thelma Bench**

**DON'T BE BORING.**

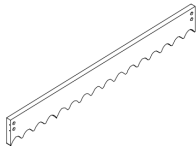
# Hardware and Components



..... **A** x1pc



..... **B** x2pcs



..... **C** x2pcs



..... **D** x8pcs



..... **E** x8pcs(M8x60mm)



..... **F** x8pcs(M8)



..... **G** x1(pc)

## Step 1

Open bag of hardware and legs.

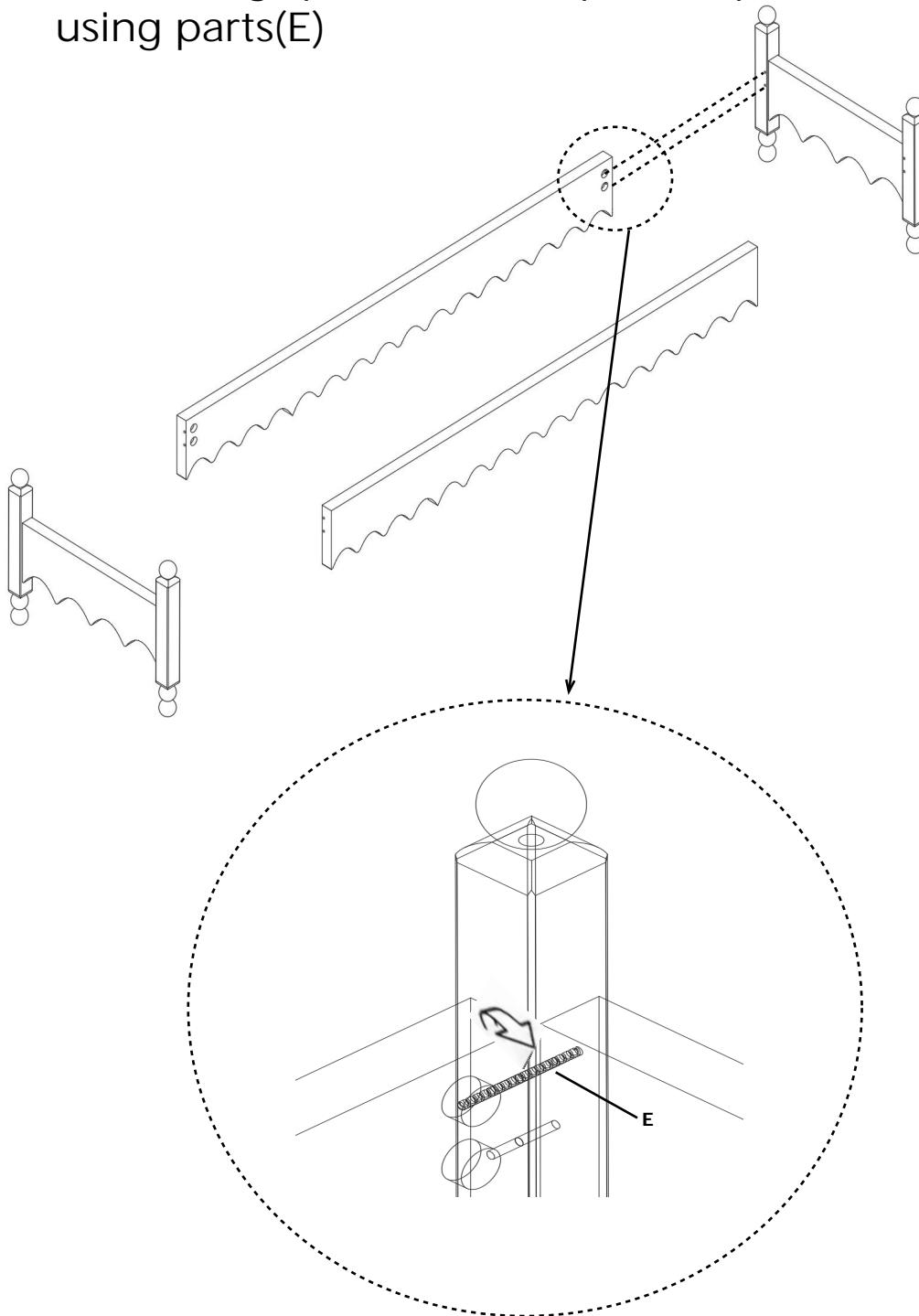
This hardware bag will be fixed on the main box.

Look for the red streamer.



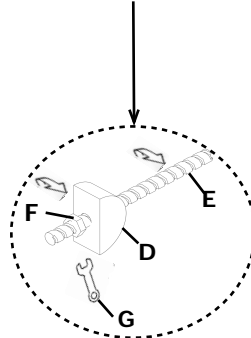
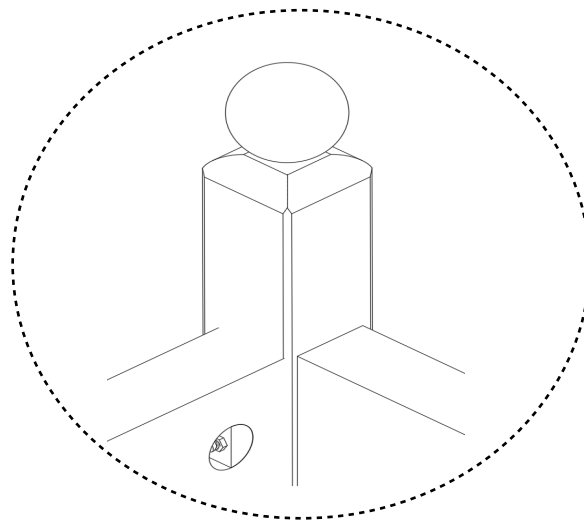
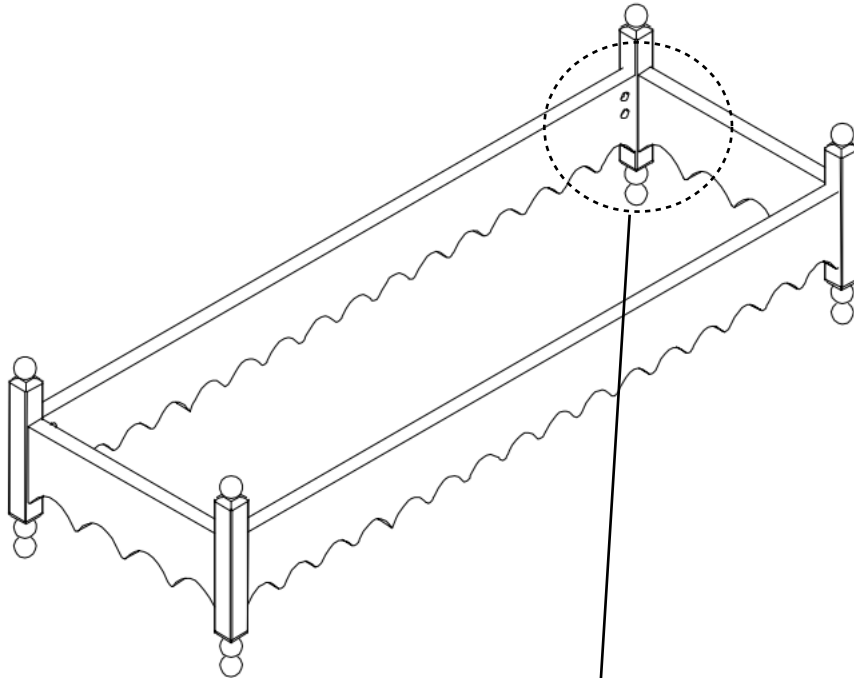
## Step 2

Attach Legs(part B) to the panels (part C)  
using parts(E)



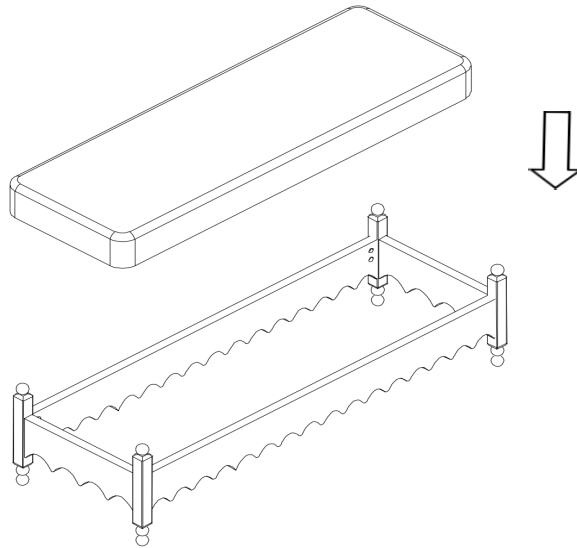
### Step 3

Attach part (D and F) to the part(E) using part(G)



### Step 3

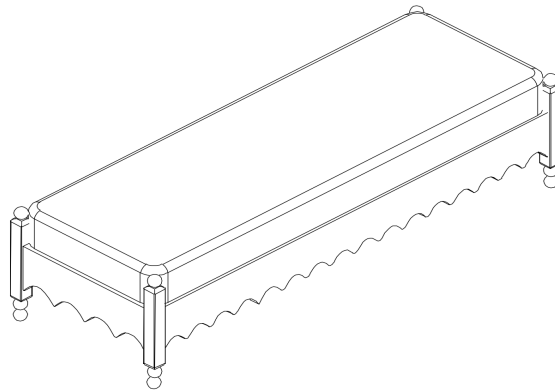
Put the part a into the assembled frame



### Step 4

A. Fully tighten all bolts with part(G)

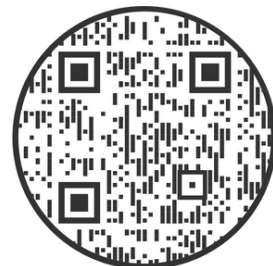
B. Complete!



Stuck?

Contact our team @ 516-888-3355

Scan for product care!




# TOV



## Follow us!

Show your new purchase some love by tagging it on our Instagram!

 @tovfurniture

 516-888-3355

 hello@tovfurniture.com

 www.tovfurniture.com

If the future is female—your furniture should be, too. No mahogany in sight. Sexy settees shaped like lips. Price points for any budget. At TOV, we do things differently.