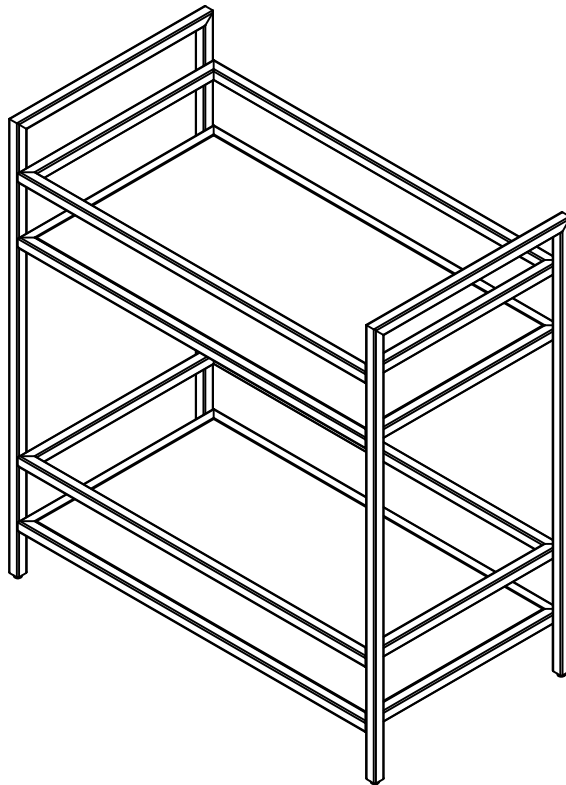


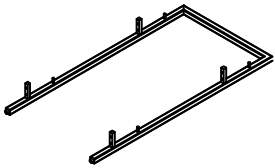
TOV



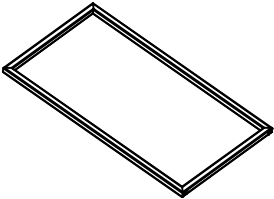
DESTIN BAR CART

DON'T BE BORING.

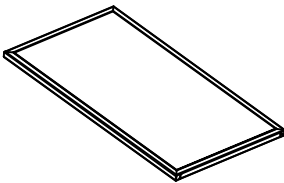
Hardware and Components



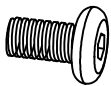
..... (A) Cart Side Frame x 2 Pcs



..... (B) Cart Top Frame x 2 Pcs



..... (C) Cart Middle & Bottom Frame x 2 Pcs



..... (D) Allen Round Flat Head Bolt 6x12mm x 16 Pcs



..... (E) Allen Key 4mm x 1 Pc

Step 1

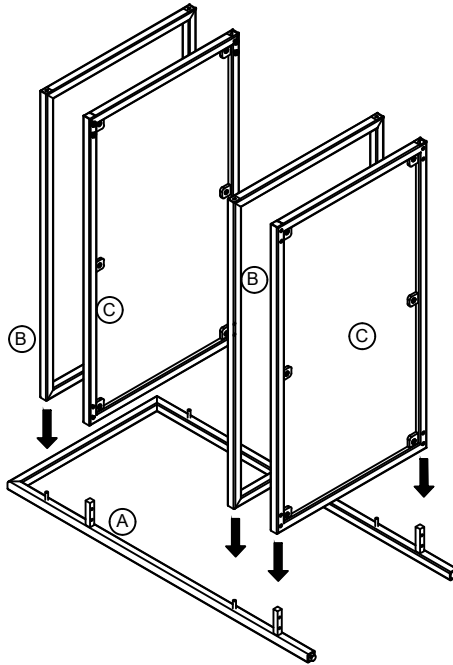
Open box of hardware and legs.

This hardware box will be a smaller box inside of the main box. Look for the red streamer.



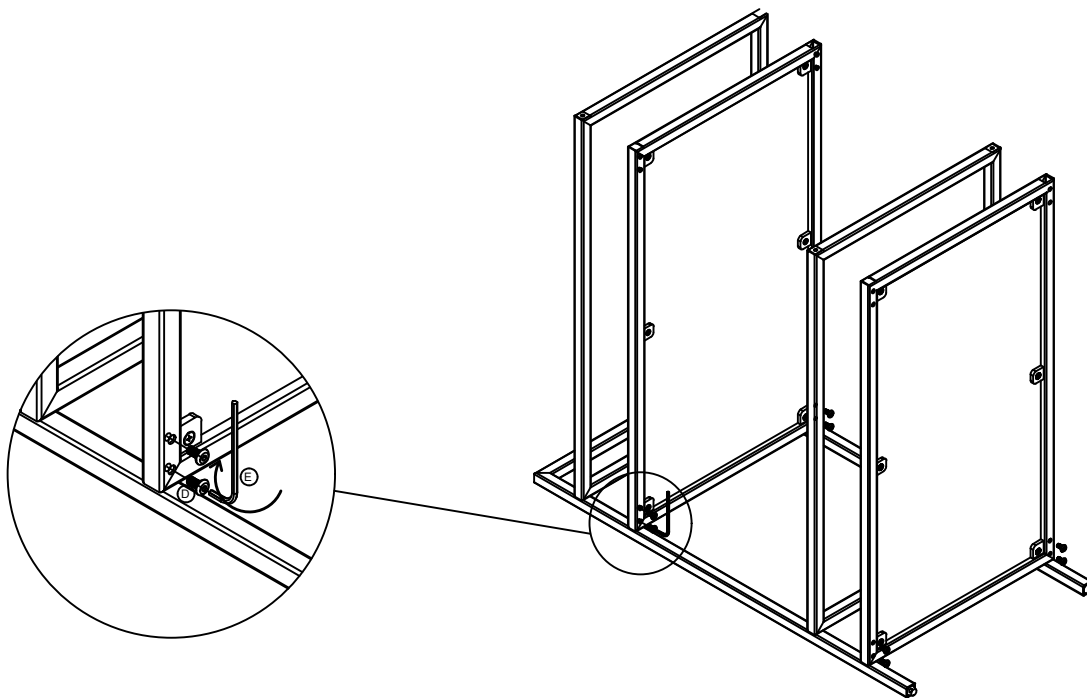
Step 2

Insert cart side frame (A) in the cart top frame (B) and cart middle and bottom frame (C).



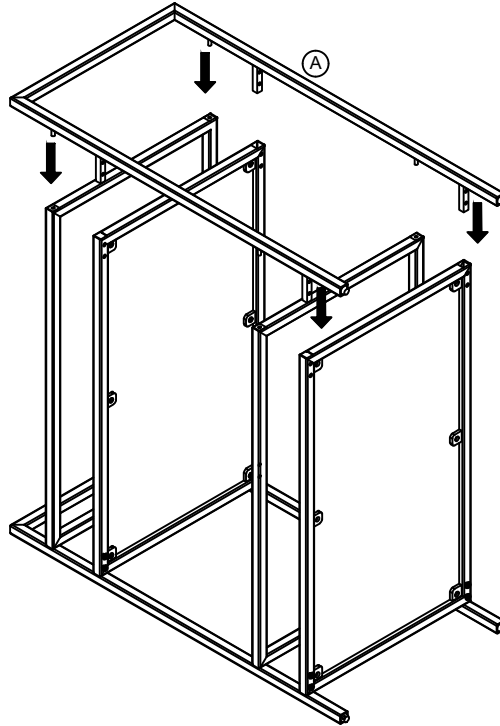
Step 3

Insert Allen bolt (D) to secure frames and tighten with Allen key (E).



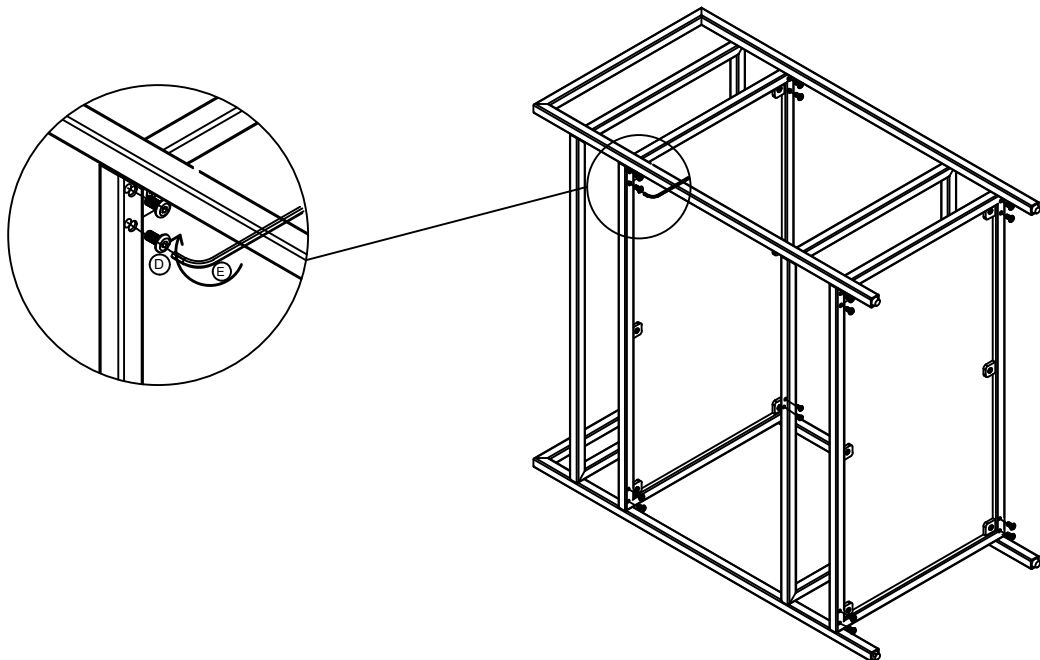
Step 4

Insert the second cart side frame (A) in to the other side of the cart top frame (B) and cart middle and bottom frame (C).



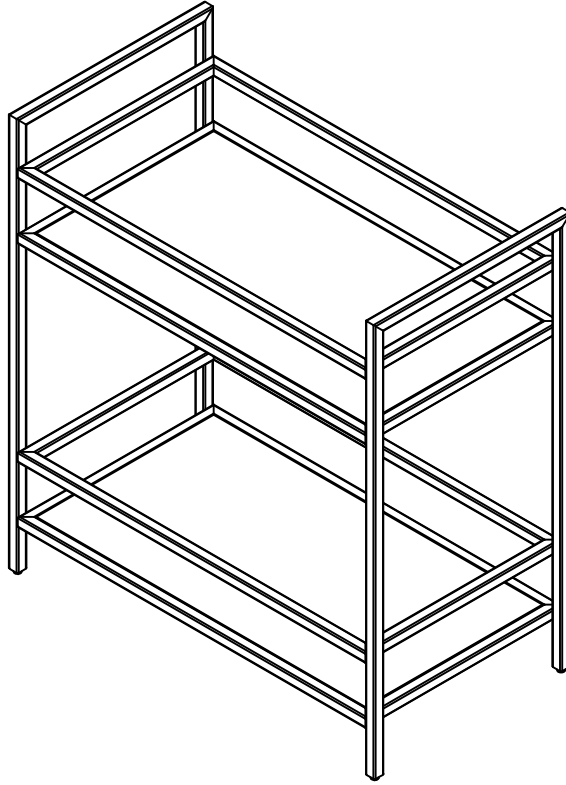
Step 5

Insert Allen bolts (D) to secure frames and tighten with Allen key (E).



Step 6

Complete!



Stuck?
Contact our team @ 516-888 -3355

Scan for product care!




TOV



Follow us!

Show your new purchase some love by tagging it on our Instagram!

 @tovfurniture

 516-888-3355

 hello@tovfurniture.com

 www.tovfurniture.com

If the future is female—your furniture should be, too. No mahogany in sight. Sexy settees shaped like lips. Price points for any budget. At TOV, we do things differently.