

TOV



Follow us!

Show your new purchase some love by tagging it on our Instagram!



@tovfurniture



516-888-3355



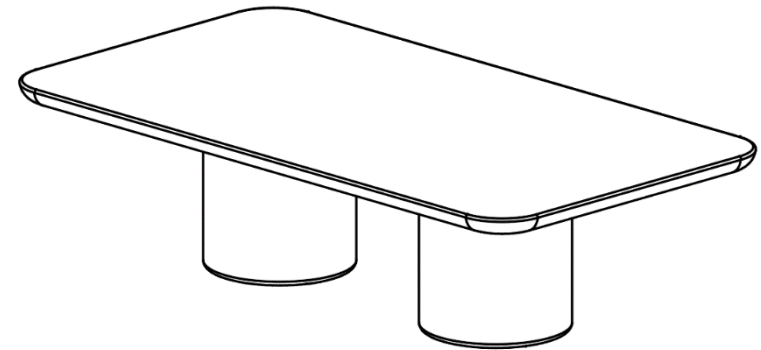
[hello@tovfurniture.com](mailto:hello@tovfurniture.com)



[www.tovfurniture.com](http://www.tovfurniture.com)

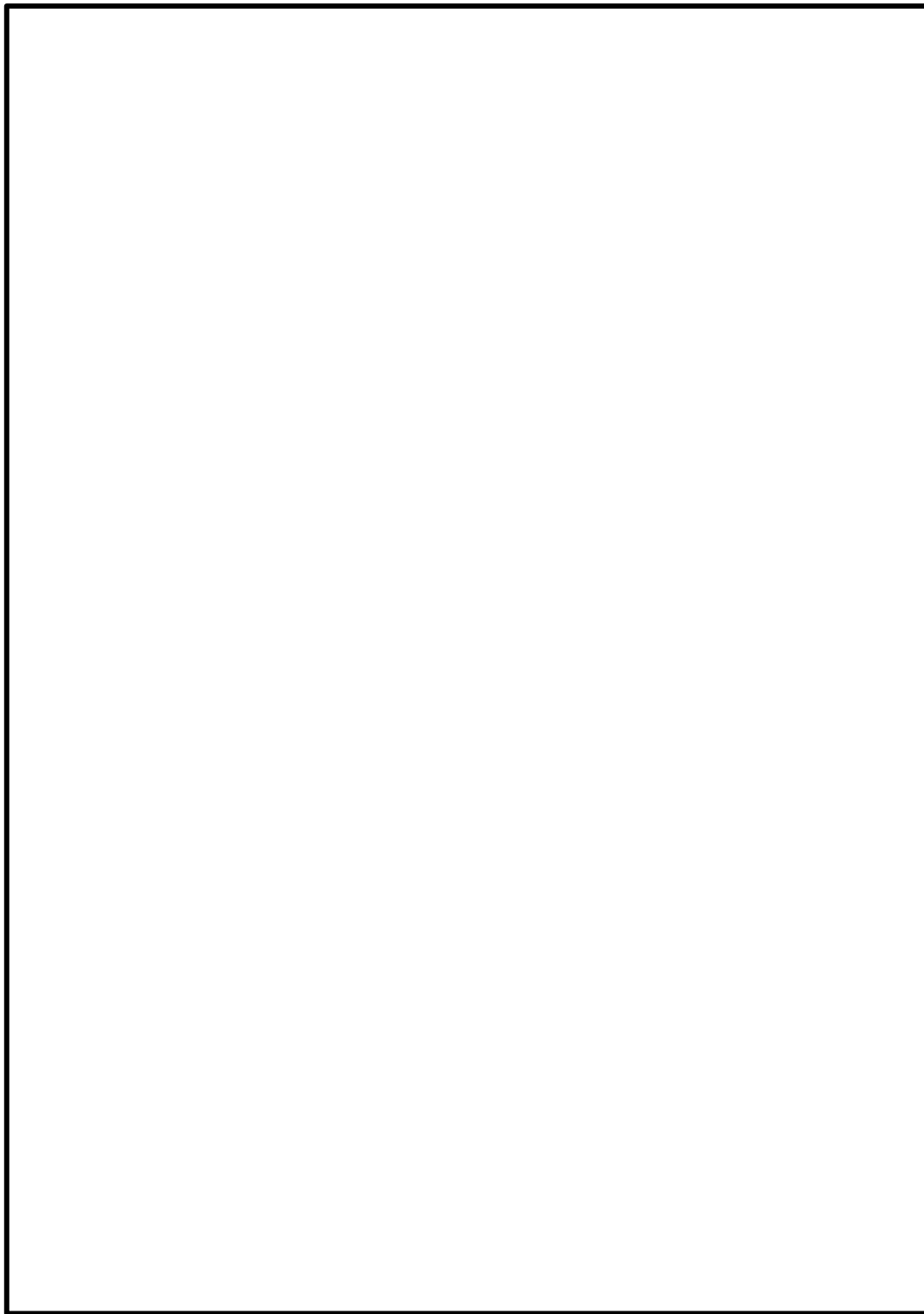
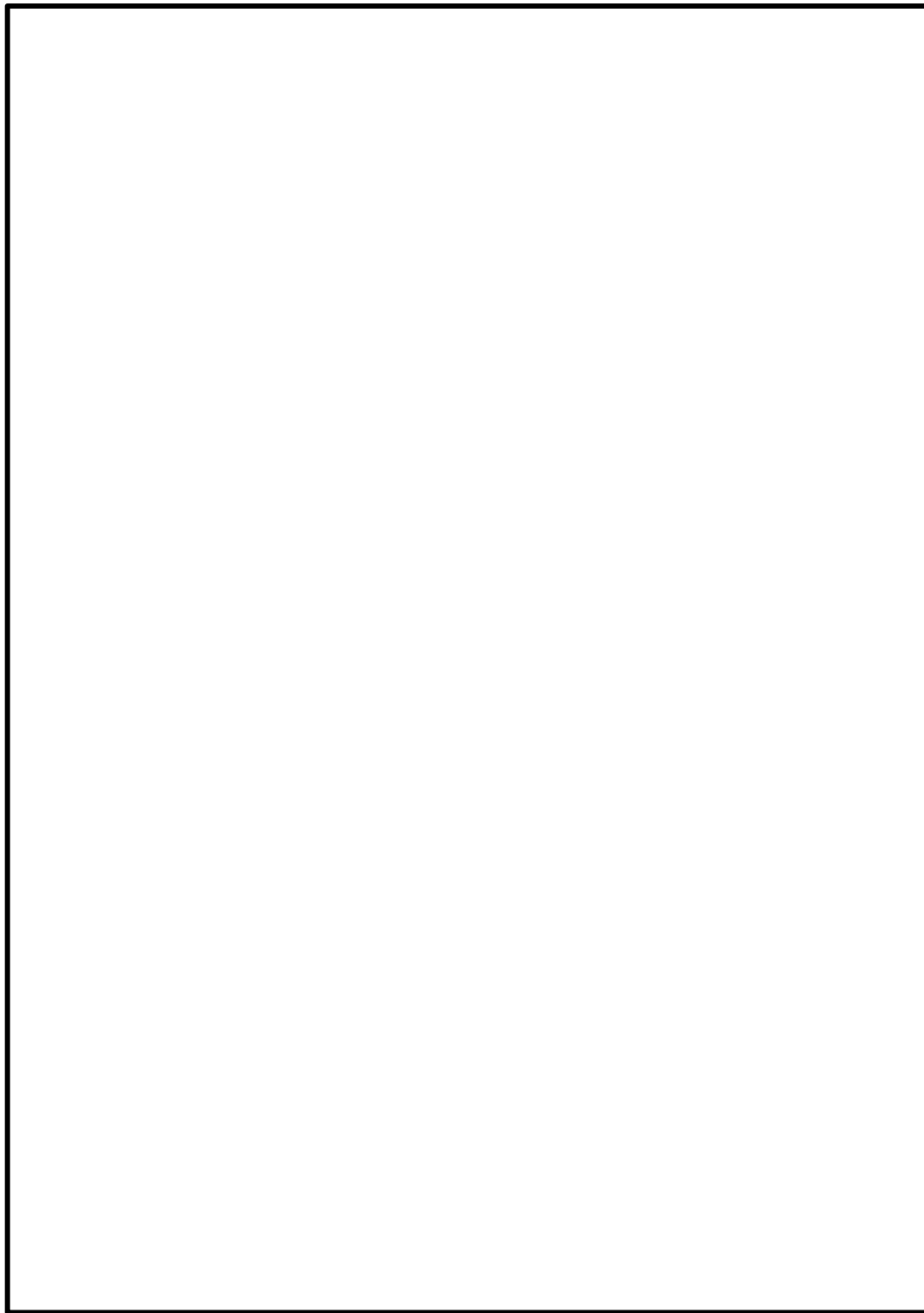
If the future is female—your furniture should be, too. No mahogany in sight. Sexy settees shaped like lips. Price points for any budget. At TOV, we do things differently.

TOV



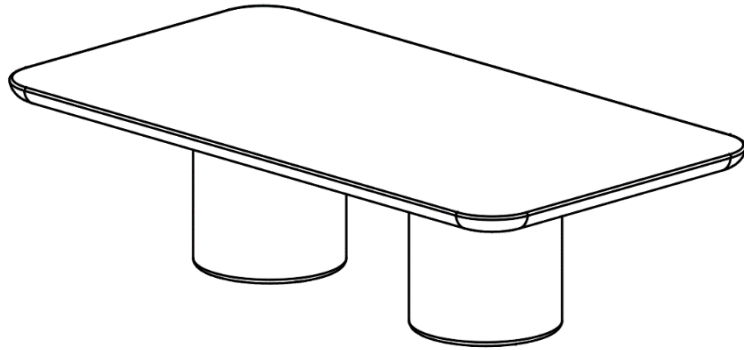
Tyche Rectangle  
Coffee Table

**DON'T BE BORING.**



## Step 4

Assembly is complete. Enjoy!



Stuck?

Contact our team @ 516-888-3355

Scan for product care!



## Hardware and Components



..... (A) Top x 1pcs



..... (B) Base x 2pcs



..... (C) Bolt M8\*20 x 16pcs



..... (D) Washer Ø22\*2 x 8pcs



..... (E) Allen Key x 1pcs



..... (F) Brackets x 2pcs

### Step 1

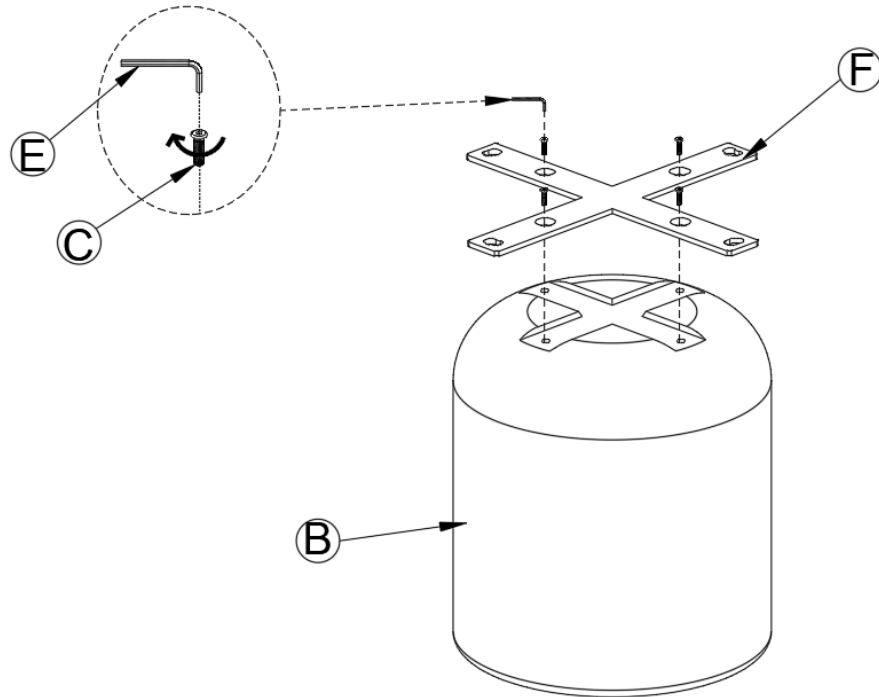
Open box of hardware and legs.

This hardware box will be a smaller box inside of the main box. Look for the red streamer.



## Step 2

- A. Place table Base (B) on the floor.
- B. Attach Bracket (F) to the Base (B), use hardware (C) with Allen Key (E).



Please fasten the screws/bolts at 70%,  
and fully tighten them after  
all screws/bolts are fully in place.

## Step 3

- A. Place table Top (A) face upside down on the floor.
- B. Place table Base (B) on table Top (A), secure the base to the table top by using hardware (C) and (D) with Allen Key (E).

