

TOV



## Follow us!

Show your new purchase some love by tagging it on our Instagram!



@tovfurniture



516-888-3355



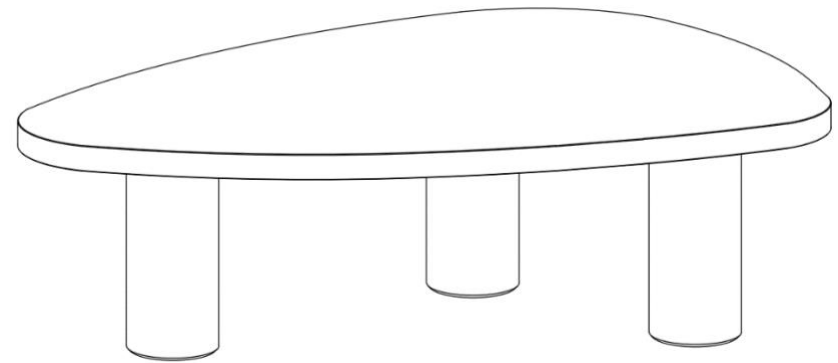
[hello@tovfurniture.com](mailto:hello@tovfurniture.com)



[www.tovfurniture.com](http://www.tovfurniture.com)

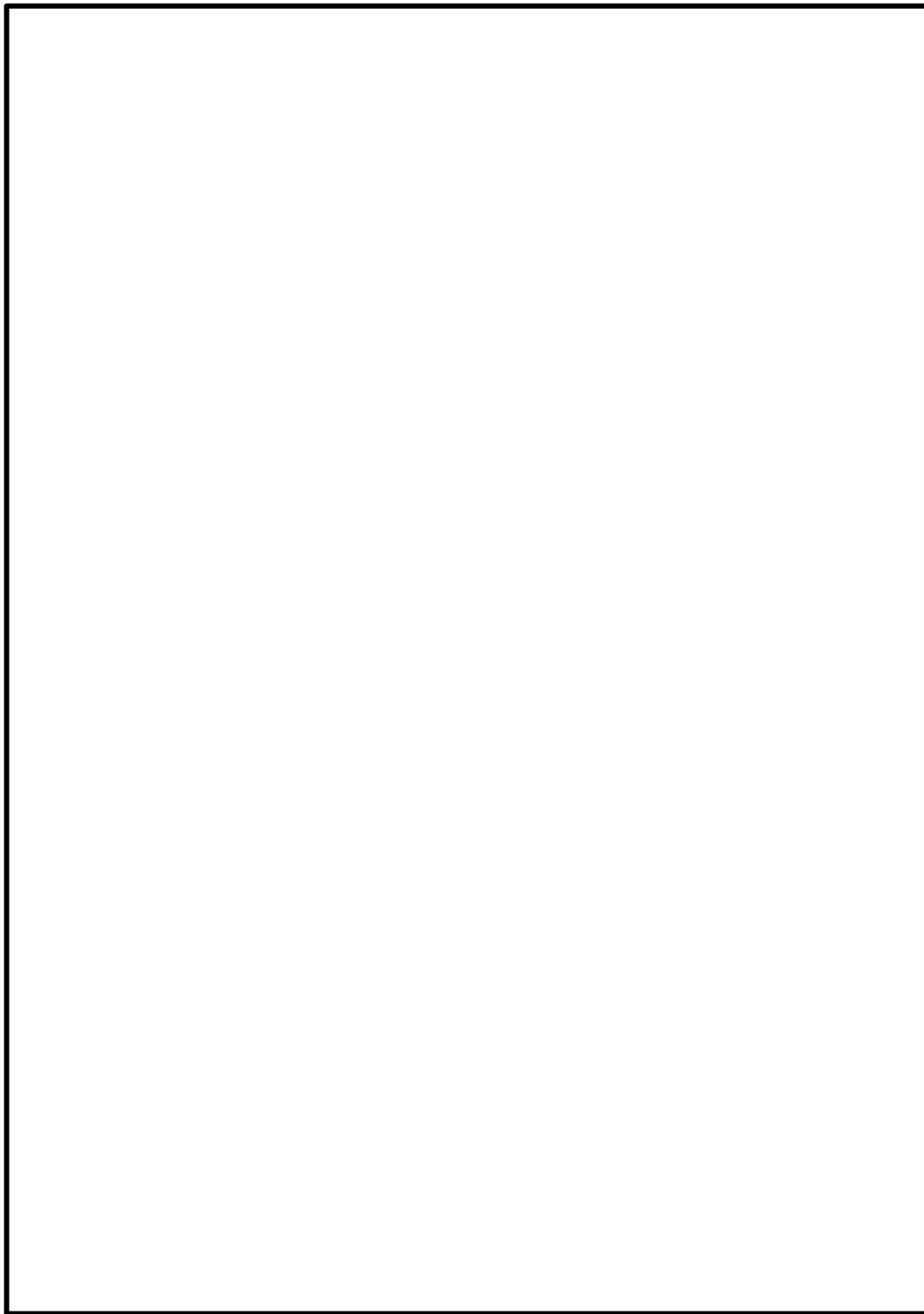
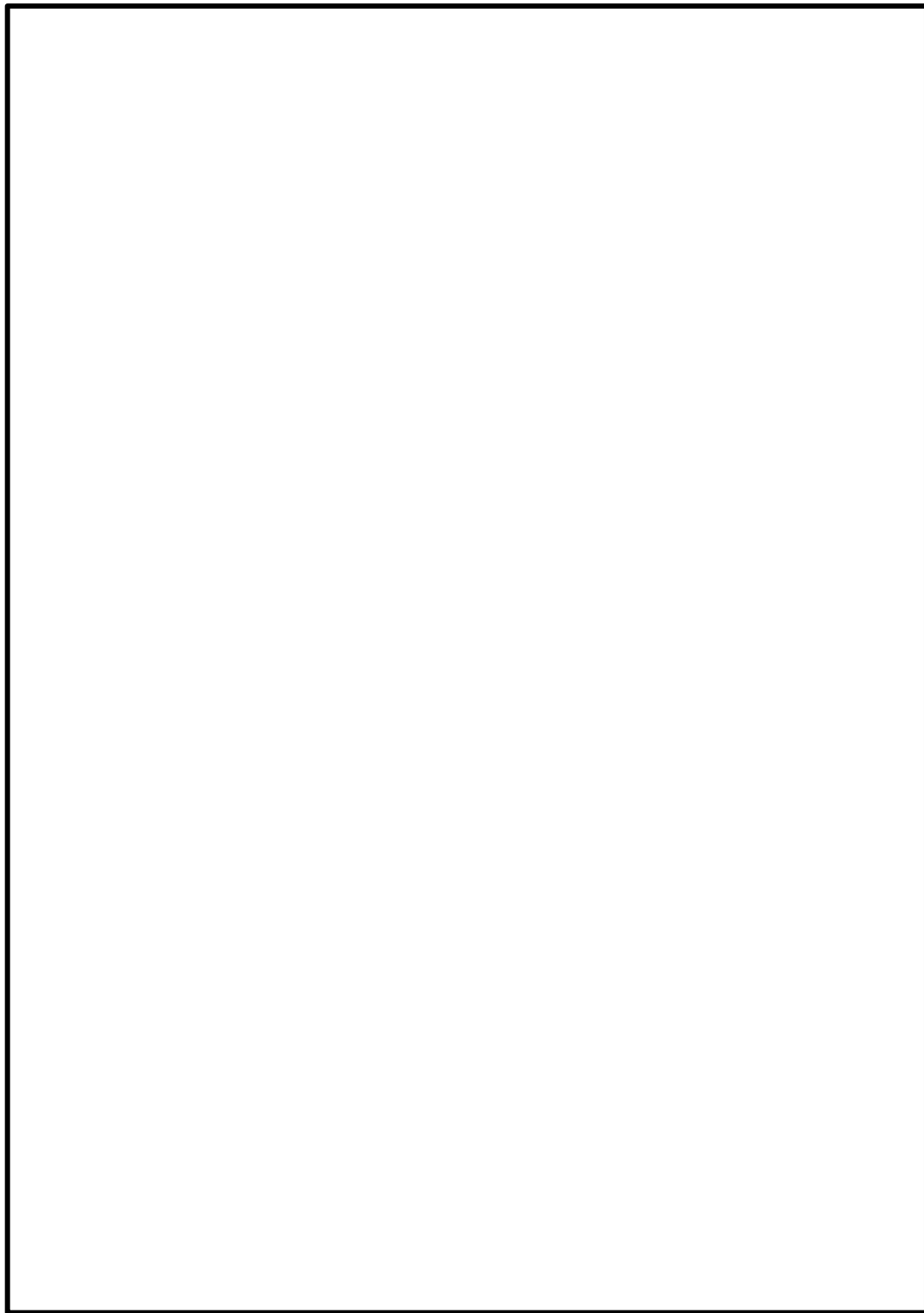
If the future is female—your furniture should be, too. No mahogany in sight. Sexy settees shaped like lips. Price points for any budget. At TOV, we do things differently.

TOV



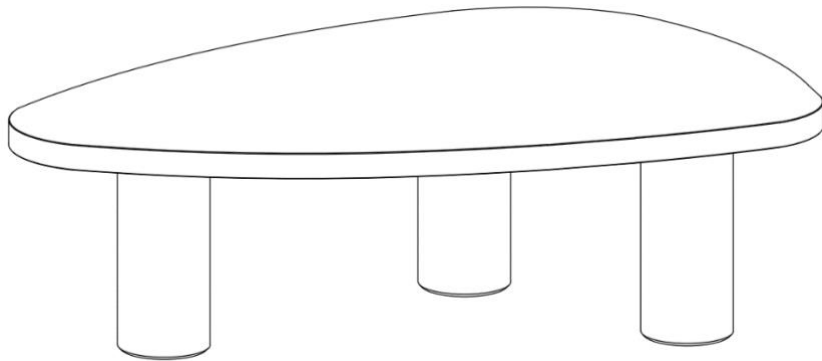
## Libby Accent Table

**DON'T BE BORING.**



## Step 4

Assembly is complete. Enjoy!



Stuck?

Contact our team @ 516-888-3355

Scan for product care!



## Hardware and Components



..... (A) Top x 1pc



..... (B) Legs x 3pcs



..... (C) Bolt M8\*20 x 12pcs



..... (D) Washer Ø22\*2 x 12pcs



..... (E) Allen Key x 1pc

### Step 1

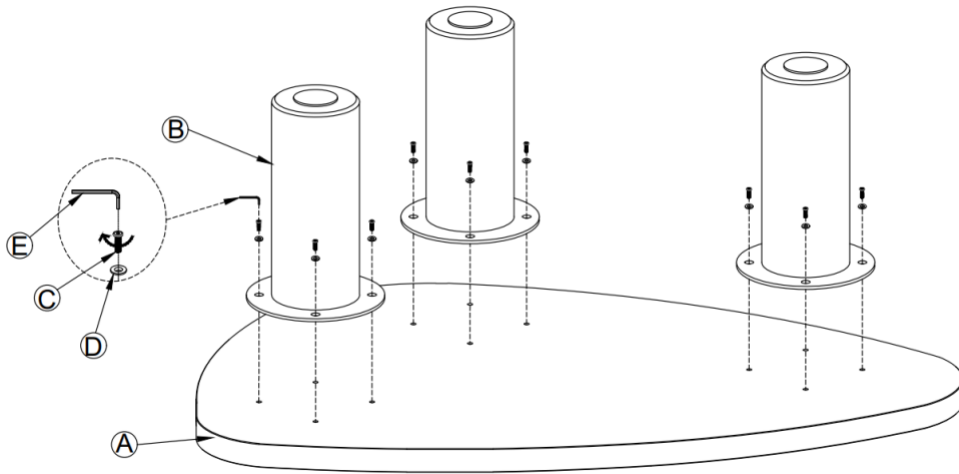
Open box of hardware and legs.

This hardware box will be a smaller box inside of the main box. Look for the red streamer.



## Step 2

- A. Place Table Top (A) face upside down on the floor.
- B. Use Allen Key (E) with hardware (C) and (D) to secure Legs (B) To the table Top (A)



**Please fasten the screws/bolts at 70%, and fully tighten them after all screws/bolts are fully in place.**

## Step 3

With help, turn the table over so it is standing in the upright position.

