


TOV



Follow us!

Show your new purchase some love by tagging it on our Instagram!

 @tovfurniture

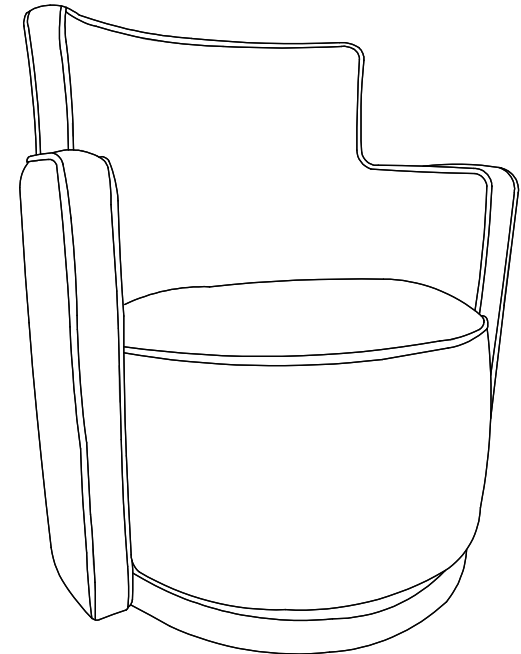
 516-888-3355

 hello@tovfurniture.com

 www.tovfurniture.com

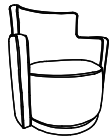
If the future is female—your furniture should be, too. No mahogany in sight. Sexy settees shaped like lips. Price points for any budget. At TOV, we do things differently.

TOV



**PASSE
SWIVEL CHAIR
DON'T BE BORING.**

Hardware and Components



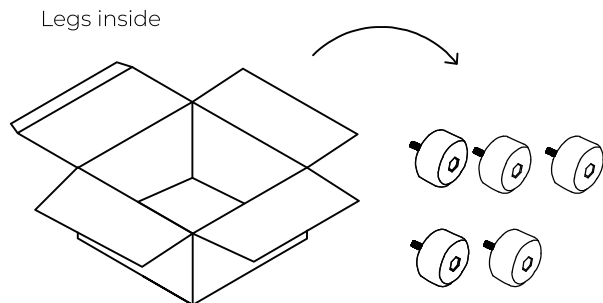
..... **A** x1pc Chair Body



..... **B** x5pcs Leg

STEP 1:

A. Please open the carton box and remove the components and hardware bag inside. Unpack the Legs as well as the hardware pack.

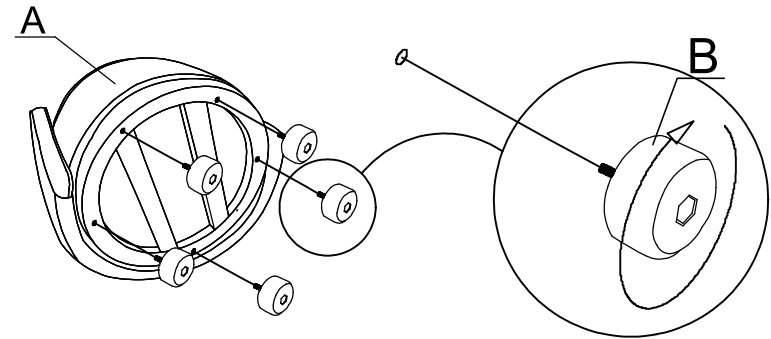


STEP 2:

A. Align the Leg (B) to the hole underneath the chair with pre-installed threaded nuts.

B. Tighten the legs as illustrated.

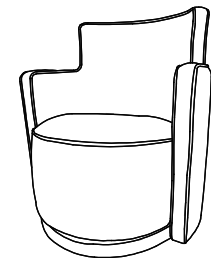
C. Repeat 5x, for all 5 legs.



STEP 3:

A. Turn the chair over, so it is standing in the upright position.

B. Complete, enjoy your chair!



Stuck?
Contact our team @ 516-888-3355

Scan for product care!

