


TOV



Follow us!

Show your new purchase some love by tagging it on our Instagram!

 @tovfurniture

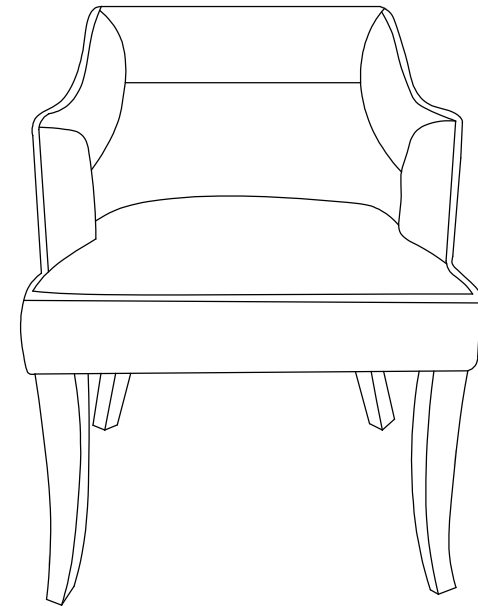
 516-888-3355

 hello@tovfurniture.com

 www.tovfurniture.com

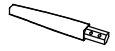




If the future is female—your furniture should be, too. No mahogany in sight. Sexy settees shaped like lips. Price points for any budget. At TOV, we do things differently.

TOV



TIFFANY CHAIR DON'T BE BORING.

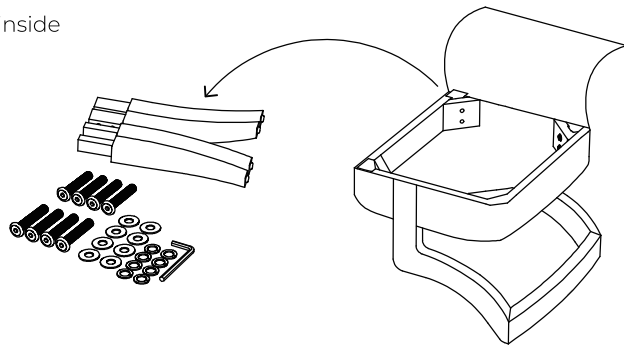
Hardware and Components

-  **A** x2pcs Front legs
-  **B** x2pcs Back legs
-  **C** x 1pc Allen Wrench-4mm
-  **D** x8pcs Screw (6 x 65mm)
-  **E** x8pcs Lock Washer
-  **F** x8pcs Flat Washer

STEP 1:

A. Please open the carton box and remove the components and hardware bag inside. Unpack the legs as well as the hardware pack.

Legs inside

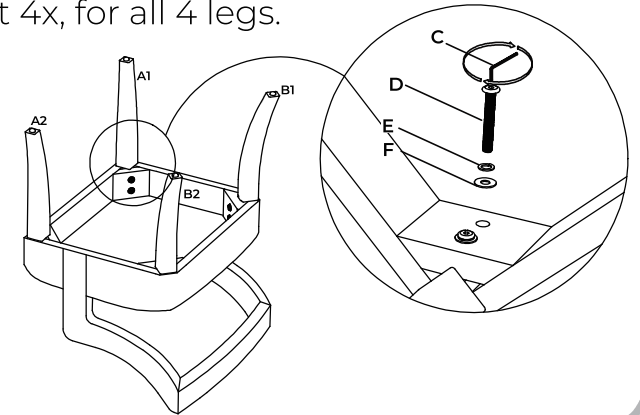


STEP 2:

A. Align the legs (A&B) to holes at the corners underneath the chair.

B. Tighten the legs by using hardware (D,E,F) with Allen Key (C).

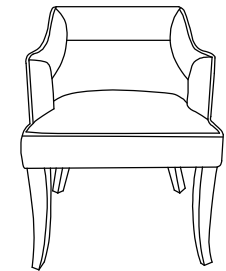
C. Repeat 4x, for all 4 legs.



STEP 3:

A. Turn the chair over, so it is standing in the upright position.

B. Complete, enjoy your chair!



Stuck?
Contact our team @ 516-888-3355

Scan for product care!

