

Zenith Modular Collection

Assembly Instructions

BEFORE BEGINNING ASSEMBLY:



Read instructions cover to cover



Have two adults on hand for assembly

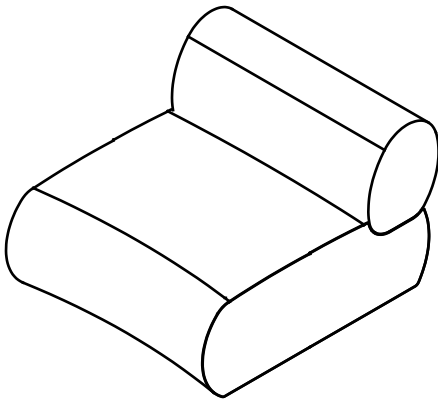


Do NOT assemble on flooring or carpet. Assemble on a clean non-marring surface (ex: packing foam)

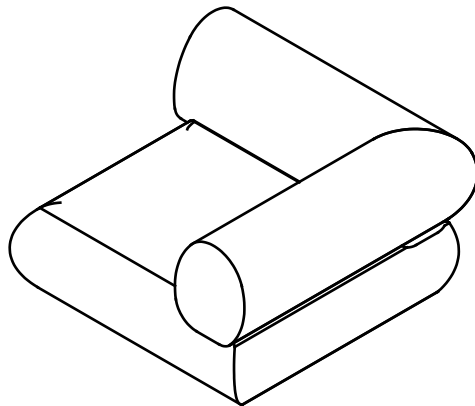


Save all packaging until assembly is completed

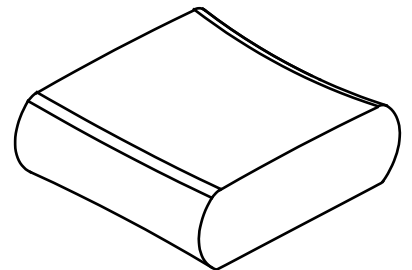
ASSEMBLY STEPS



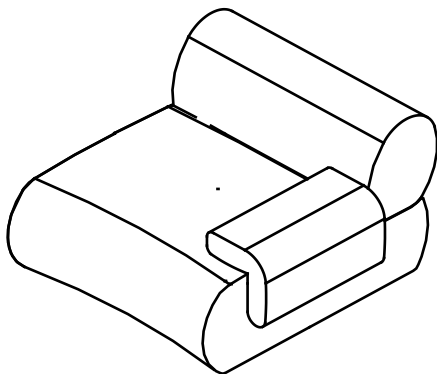
Armless



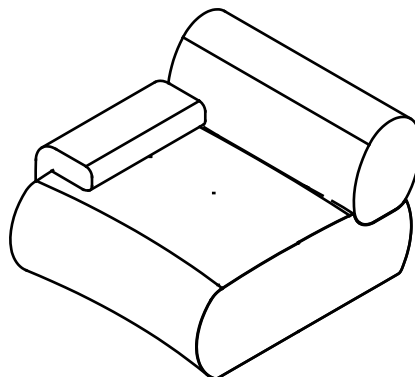
Corner



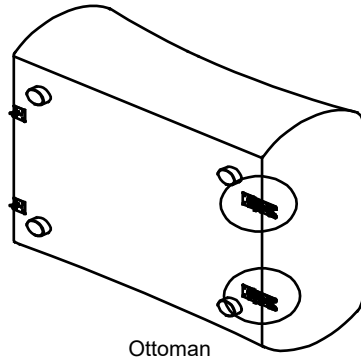
Ottoman



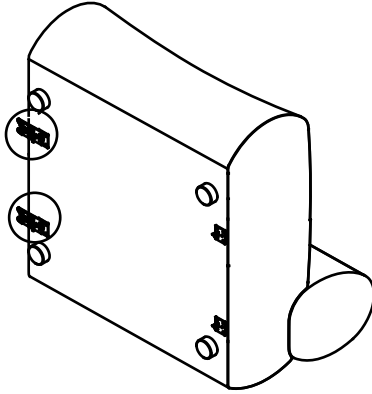
RAF Corner



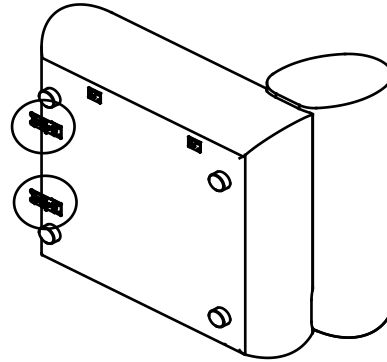
LAF Corner



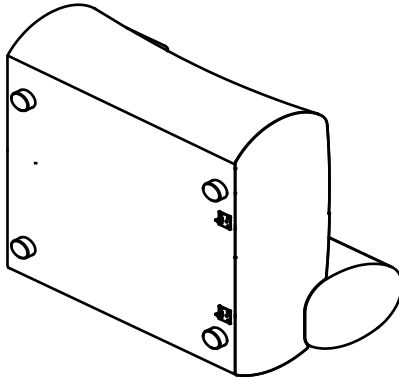
Ottoman



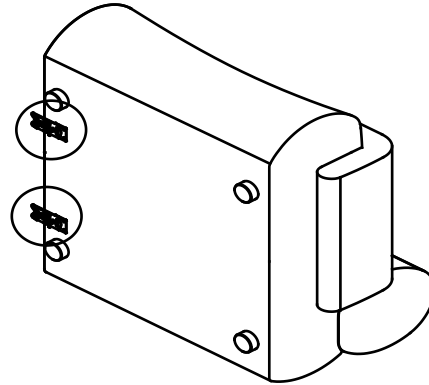
Armless



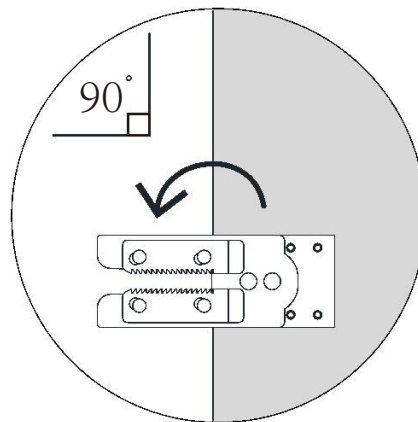
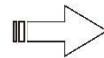
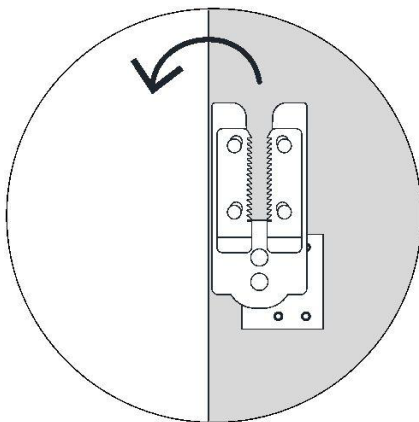
Corner

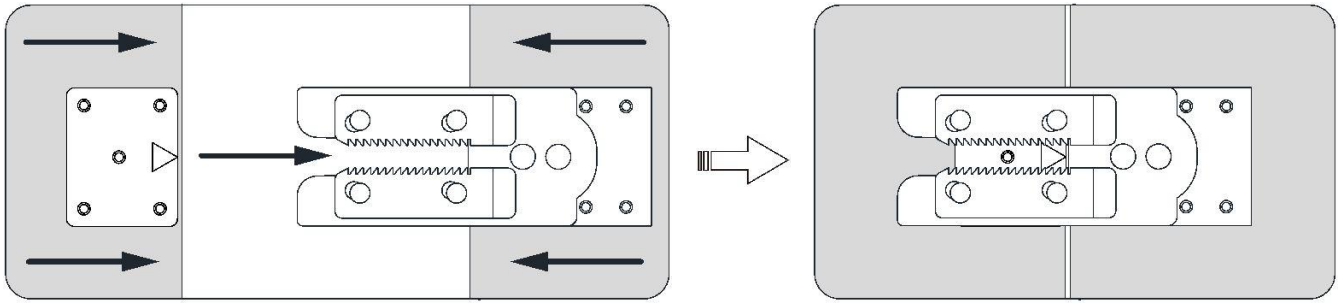


LAF Corner

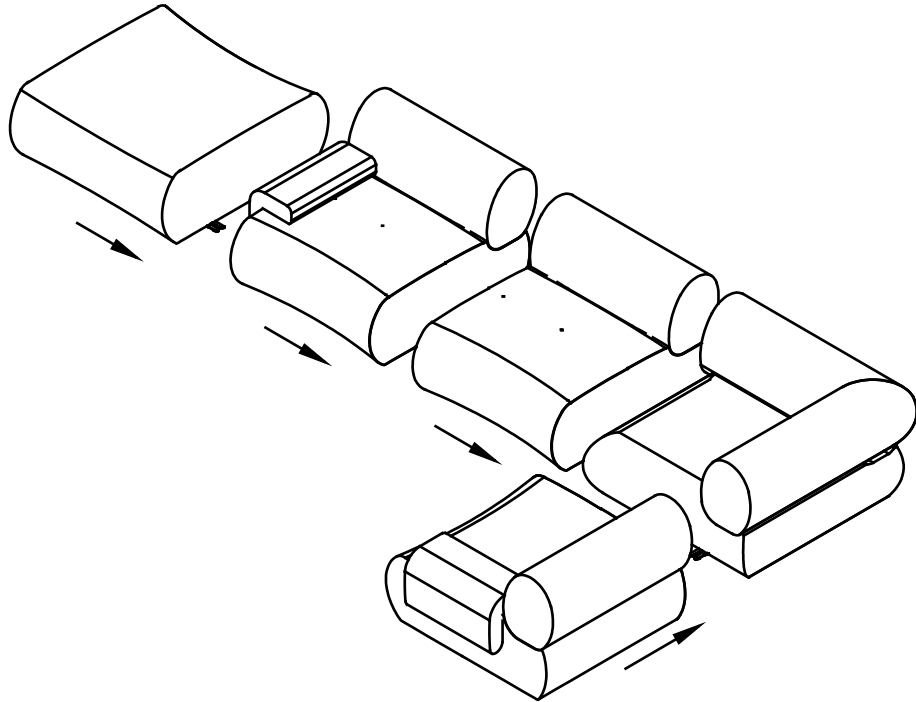


RAF Corner

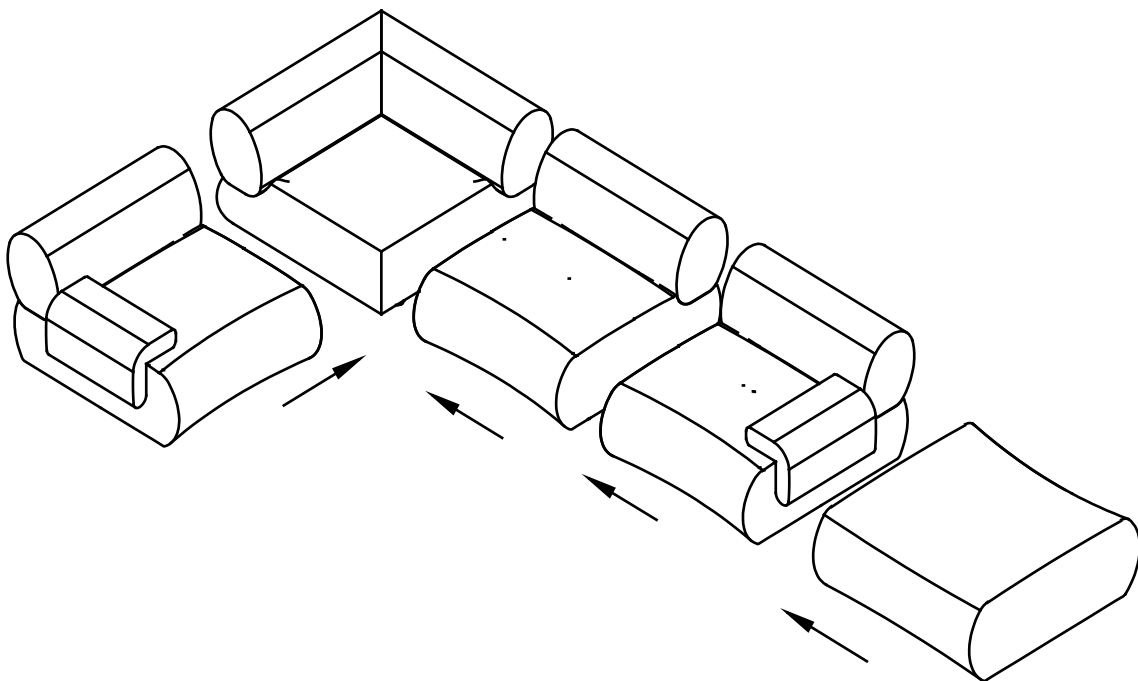




Option A:



Option B:



CARE & MAINTENANCE



Do not put hot items directly on furniture surface.



Do not clean furniture with harsh cleansers or polish.



Dust and wipe up spills, non-colored, lint-free cloth.



Stains may be removed with mild soap solution and a damp cloth.



Do not place furniture under direct sunlight.



Do not place furniture near heating or cooling vents.



Do not write on furniture without a padded barrier to protect the surface.



Do not place the furniture outside, for indoor use only.