


TOV



Follow us!

Show your new purchase some love by tagging it on our Instagram!

 @tovfurniture

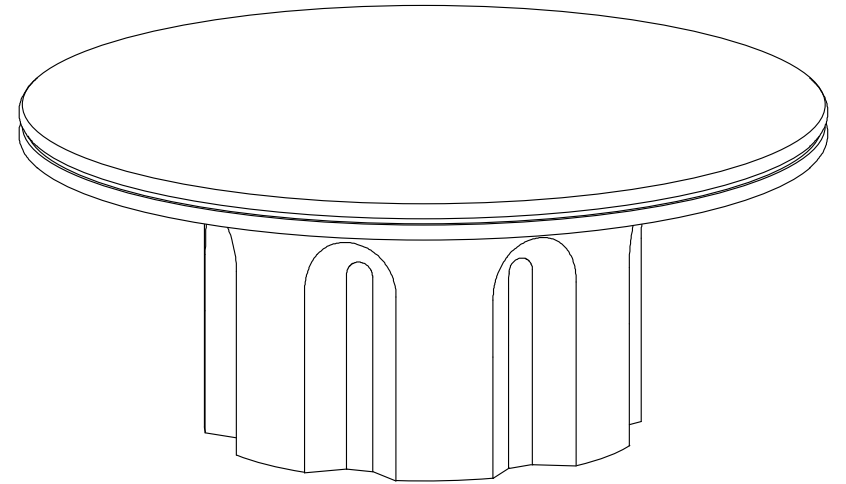
 516-888-3355

 hello@tovfurniture.com

 www.tovfurniture.com

If the future is female—your furniture should be, too. No mahogany in sight. Sexy settees shaped like lips. Price points for any budget. At TOV, we do things differently.

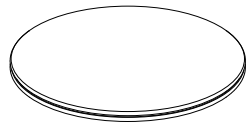
TOV



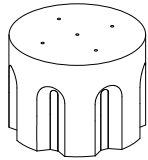
Cassandra Coffee Table

DON'T BE BORING.

Hardware and Components



..... **A** x1pc Top



..... **B** x1pc Base



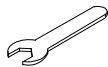
..... **C** x5pcs Bolts (M6 x 75mm)



..... **D** x5pcs Washers (M6 x Ø30mm)



..... **E** x5pcs Nut M6

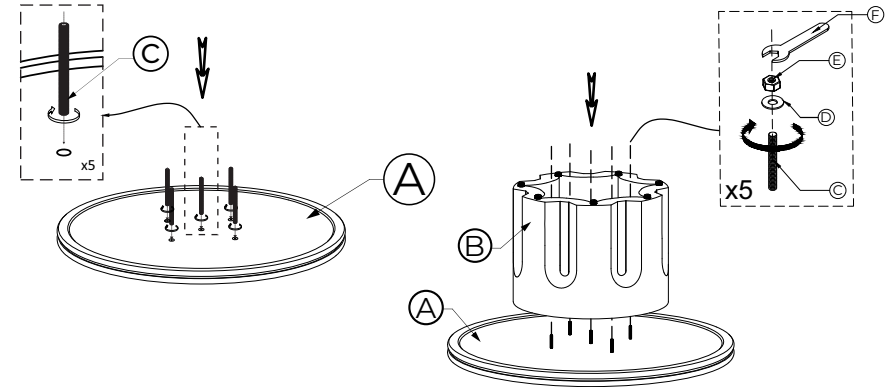


..... **F** x1pc Wrench M6

Step 2

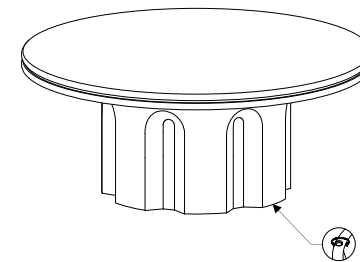
A. The Table Top (A) face down on the floor, tighten Bolts (C) into pre-installed threaded nuts.

B. Align the Base (B) into Bolts (C). Secure the Base (B) to the Table Top (A) using Washers (D), Nuts (E), and Wrench (F).



Step 3

With help, turn the table over, so it is standing in the upright position. Adjust the leveler on base if needed.



Stuck?
Contact our team @ 516-888-3355
Scan for product care!



Step 1

Open box of hardware and legs.

This hardware box will be a smaller box inside of the main box. Look for the red streamer.

