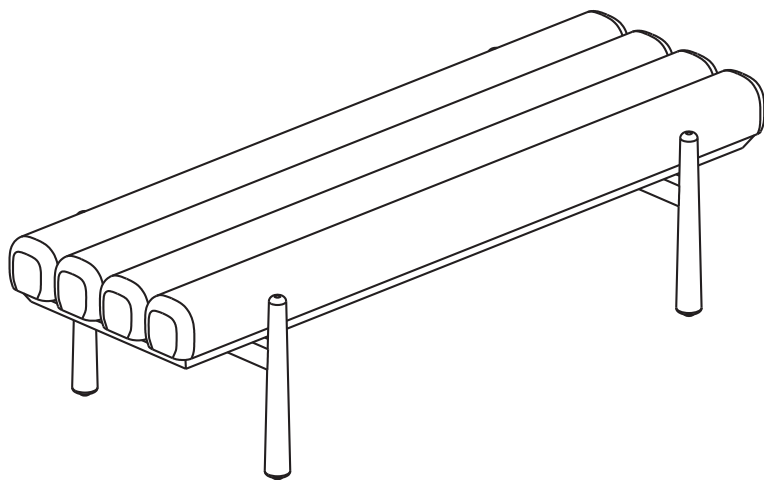


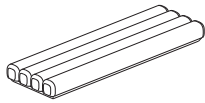
T O V



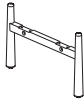
Julianna Bench

DON'T BE BORING.

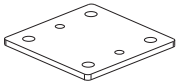
Hardware and Components



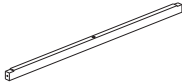
Bench Body ----- **A** x 1 pc



Legs ----- **B** x 2 pcs



Metal Brackets ----- **C** x 4 pcs



Wood Braces ----- **D** x 2 pcs



Bolts M6x25 ----- **E** x 8 pcs



Bolts M8x40 ----- **F** x 16 pcs



Bolts M8x60 ----- **G** x 6 pcs



Lock Washers ----- **H** x 22 pcs



Washers ----- **I** x 22 pcs



Allen Wrench ----- **J** x 1 pc

Step 1

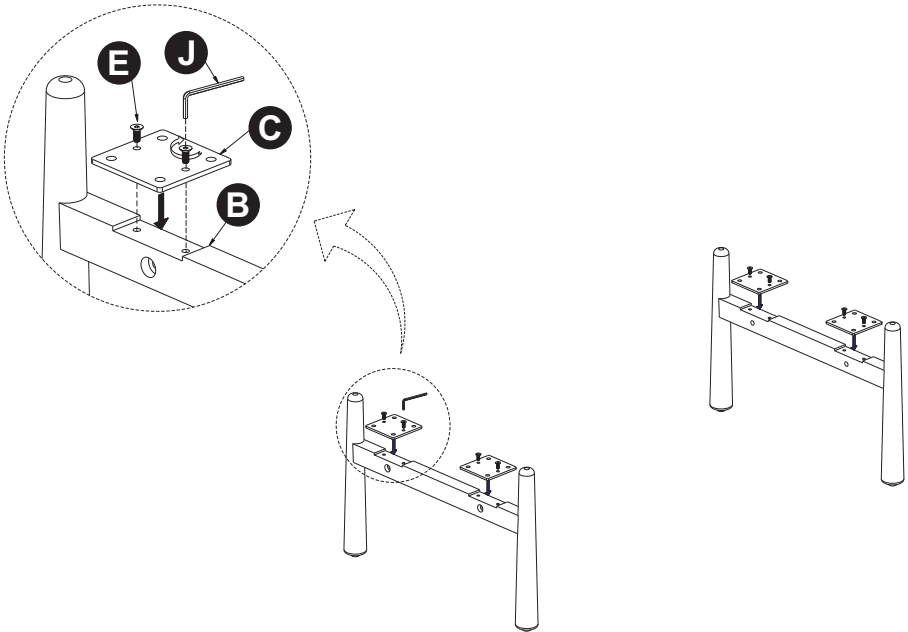
Open box of hardware and legs.

This hardware box will be a smaller box inside of the main box. Look for the red streamer.



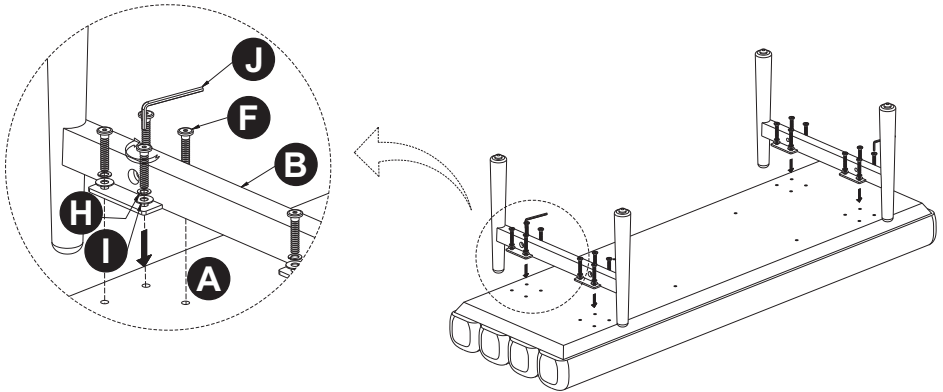
Step 2

Attach the Metal Brackets (C) into pre-drilled holes on the Legs (B) using Bolts (E). Hand tighten with Allen Wrench (J).



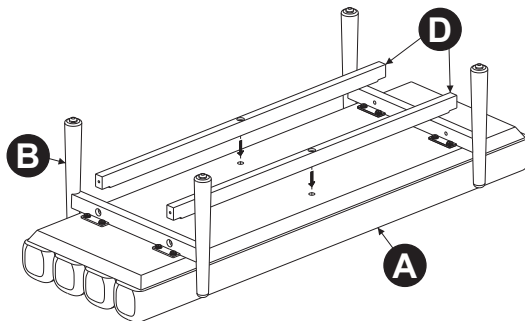
Step 3

Carefully place the Bench Body (A) with the top facing down on a soft surface. Underneath the Bench Body (A) are holes with pre-installed threaded nuts, attach the Legs (B) into pre-drilled holes using Bolts (F), Lock Washers (H) and Washers (I). Hand tighten with Allen Wrench (J).



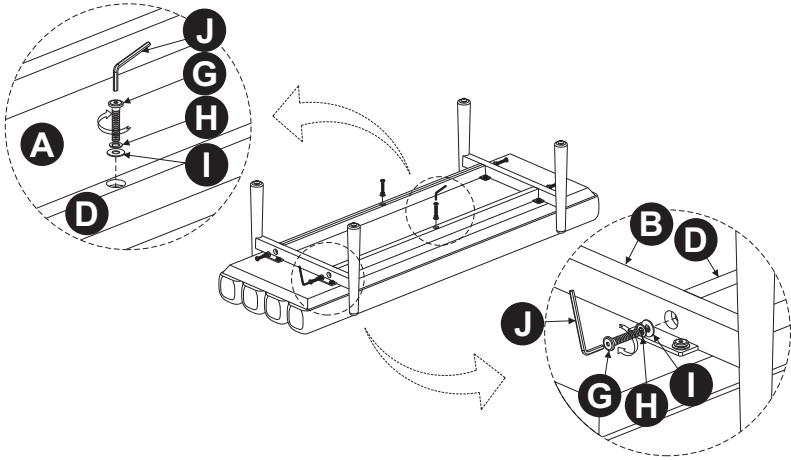
Step 4

Move the Wood Braces (D) into position to be assembled.



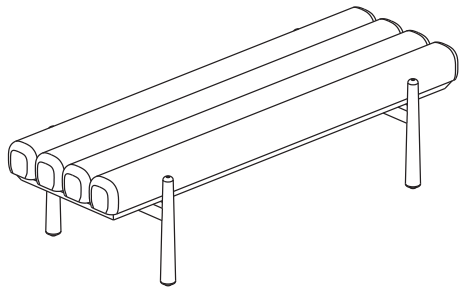
Step 5

Attach the Wood Braces (D) into pre-drilled holes on the Legs (B) using Bolts (G), Lock Washers (H) and Washers (I). Hand tighten with Allen Wrench (J).



Step 6

Carefully place the Bench upright. Enjoy your new Julianna Bench!



Stuck?

Contact our team @ 516-888-3355

Scan for product care!




TOV



Follow us!

Show your new purchase some love by tagging it on our Instagram!

 @tovfurniture

 516-888-3355

 hello@tovfurniture.com

 www.tovfurniture.com

If the future is female—your furniture should be, too. No mahogany in sight. Sexy settees shaped like lips. Price points for any budget. At TOV, we do things differently.