


TOV



Follow us!

Show your new purchase some love by tagging it on our Instagram!

 @tovfurniture

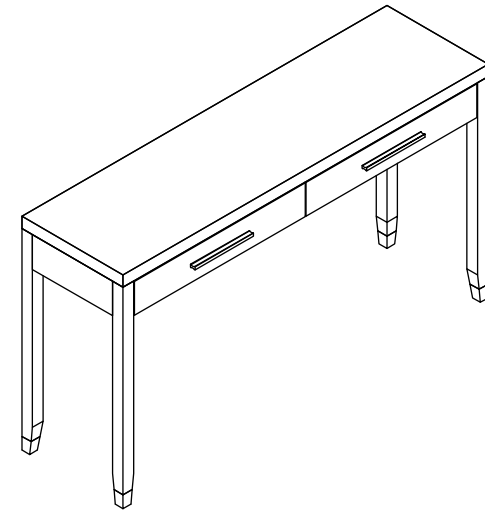
 516-888-3355

 hello@tovfurniture.com

 www.tovfurniture.com

If the future is female—your furniture should be, too. No mahogany in sight. Sexy settees shaped like lips. Price points for any budget. At TOV, we do things differently.

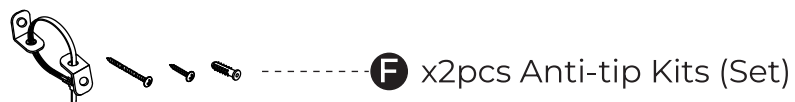
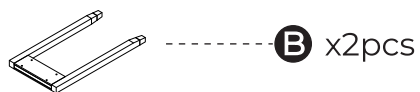
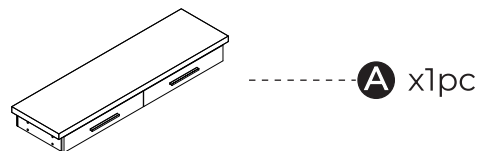
TOV



Dani Console Table

DON'T BE BORING.

Hardware and Components



Step 1

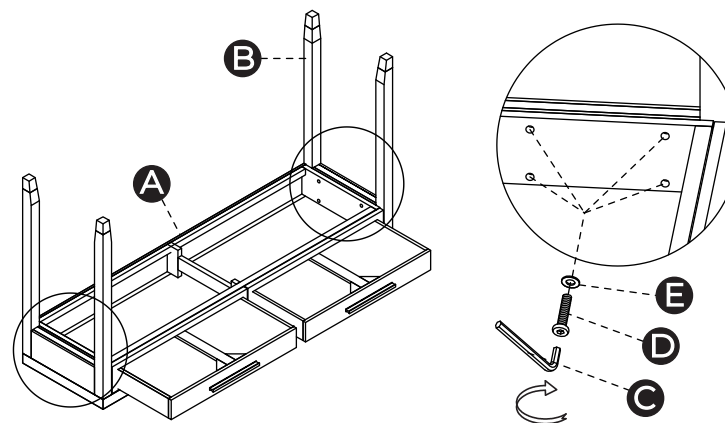
Open box of hardware and legs.

This hardware box will be a smaller box inside of the main box. Look for the red streamer.



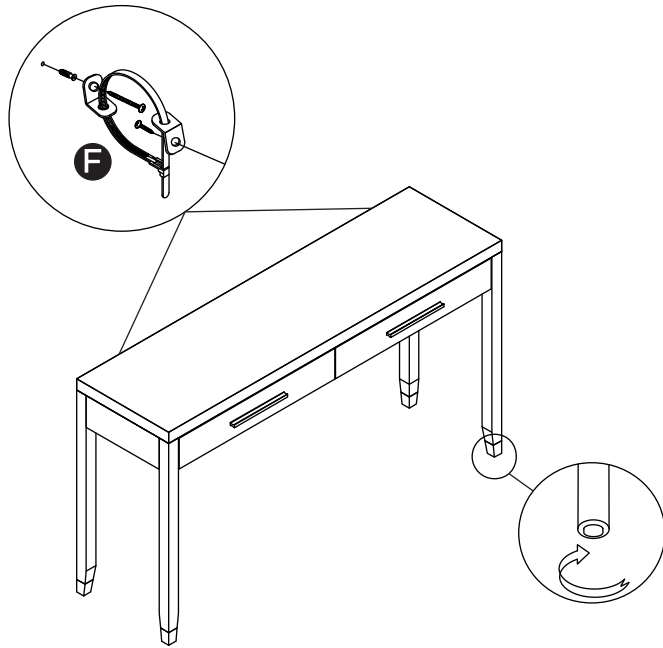
Step 2

- A.** Place the Table Top (A) upside down on a clean, non marring surface (i.e. packing foam).
- B.** Open all drawers.
- C.** Align the Legs (B) to the holes on the frame of the Table Top (A).
- D.** Tighten the legs with hardware (D), (E) and Allen Key (C).
- E.** Turn the table over so it is standing in an upright position.



Step 3

- A.** Install the Anti-Tip Kits (F) to the back of the Console table top (A), and attach it securely to the wall.
- B.** If necessary, adjust the leveler on the legs until the table is level.
- C.** Complete !



Stuck?

Contact our team @ 516-888-3355

Scan for product care!

