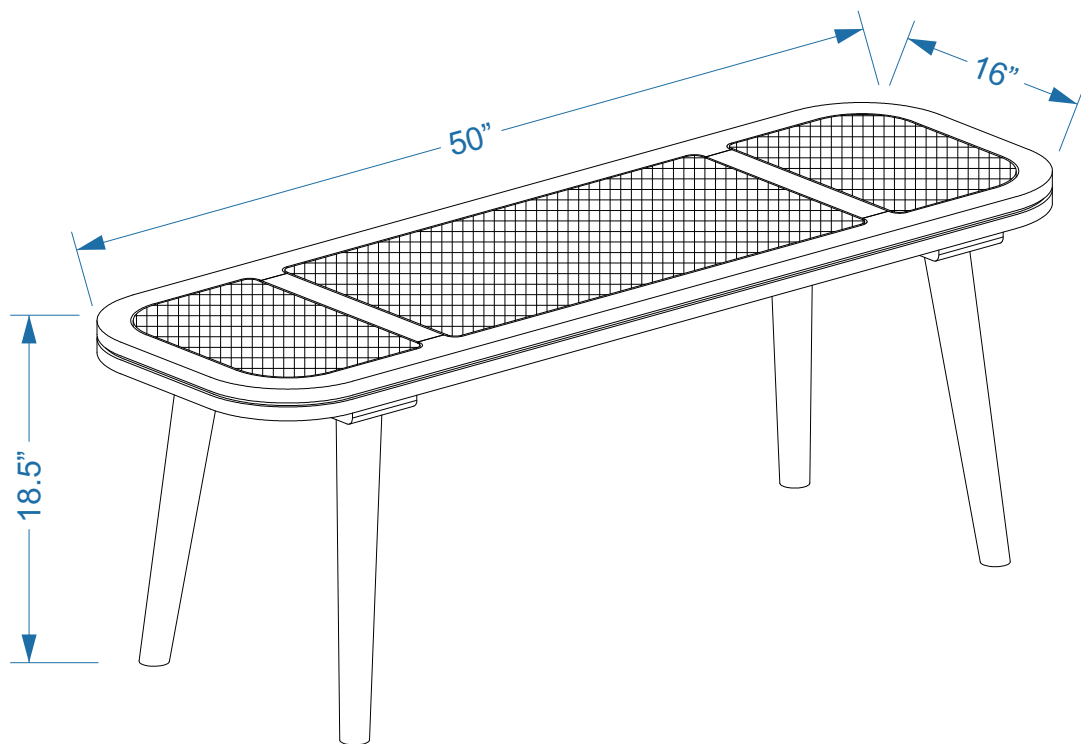


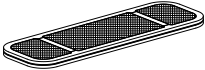
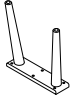
EMILIA BENCH

EMILIA


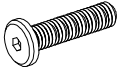

ASSEMBLY INSTRUCTIONS



PARTS LIST

LABEL	PICTURE	DESCRIPTION	QTY
A		TOP	1
B		LEG	2

HARDWARE

LABEL	PICTURE	DESCRIPTION	QTY
C		WASHER Ø8/19xH1.5mm	12
D		SCREW M8x30	12
E		WRENCH M4x60	1

BEFORE BEGINNING ASSEMBLY:



Read instructions cover to cover



Have two adults on hand for assembly



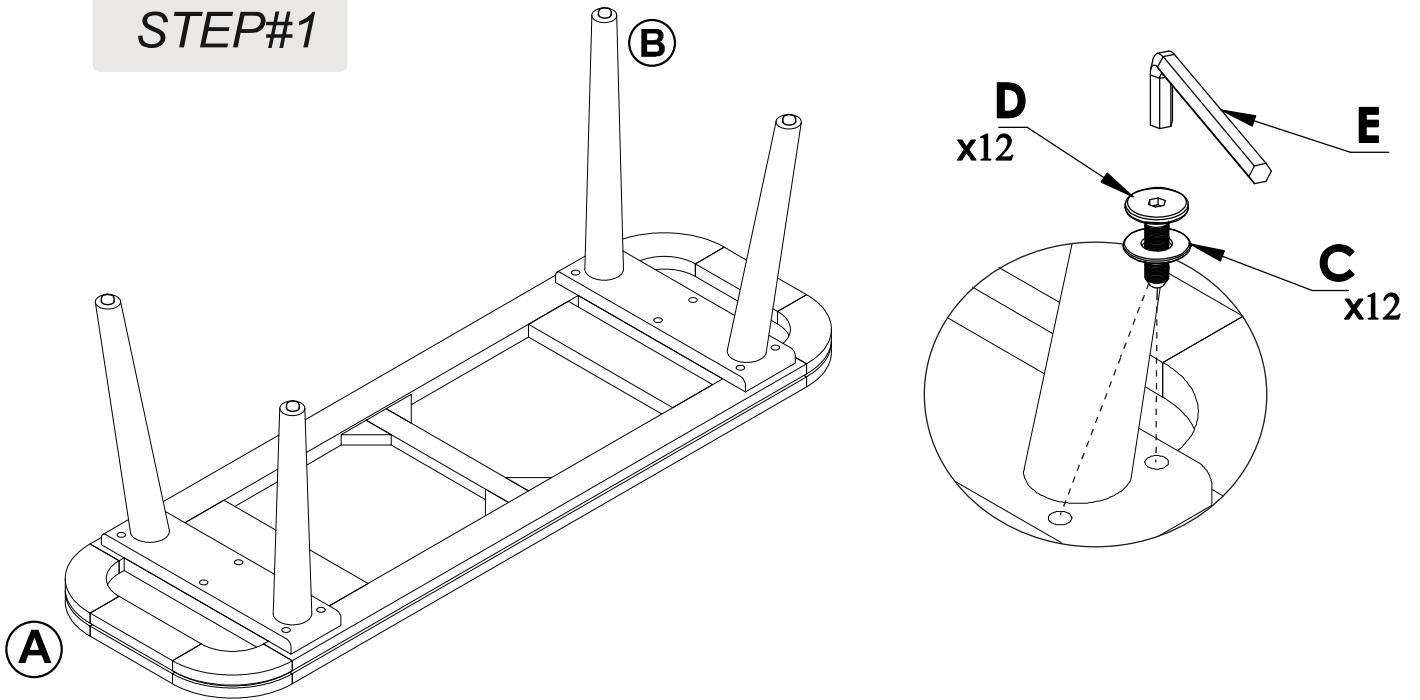
Do NOT assemble on flooring or carpet. Assemble on a clean non-marring surface (ex: packing foam)



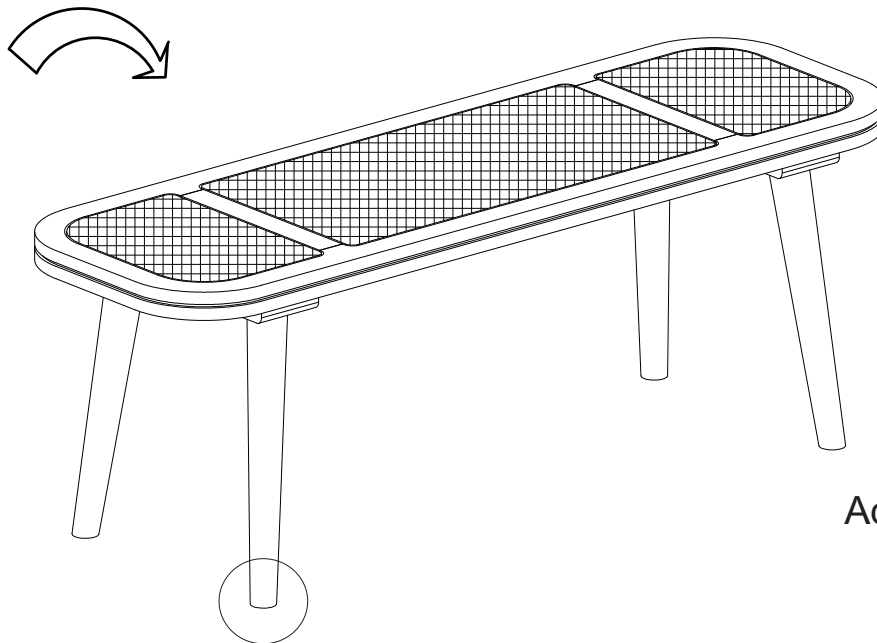
Save all packaging until assembly is completed

ASSEMBLY STEPS

STEP#1



STEP#2



Adjust leveler as needed

