

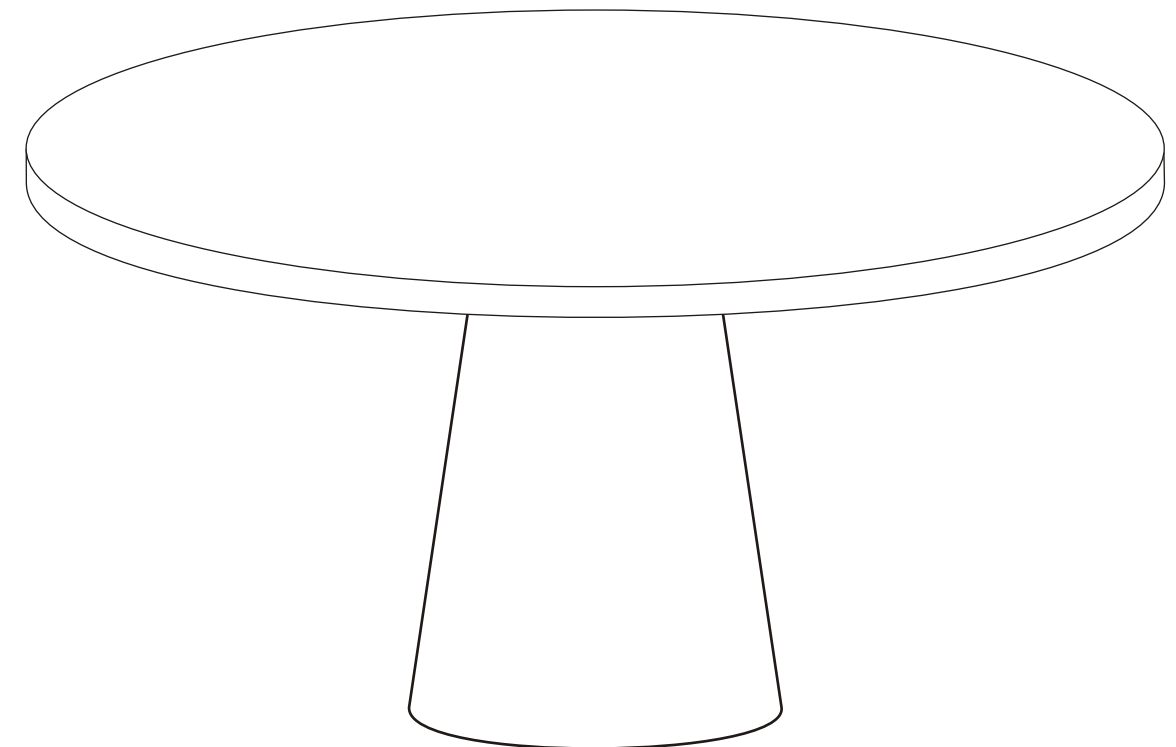
# CARE & MAINTENANCE

1. Protect against moisture.
2. Wipe with a clean, lint free cloth.
3. Do not use ammoniated detergents, metal or furniture polish or other abrasive cleaning agents.
4. Avoid spills, wipe up immediately with a dry, clean, lint free cloth.
5. Do not expose to harsh or direct sunlight.
6. Please make sure that you have all parts indicated before you begin assembly of this item.
7. This item should be assembled on a soft surface to prevent scratching the finish during assembly.
8. This item may require periodic tightening.

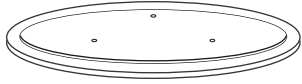
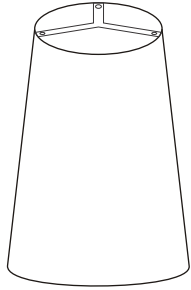


Bleeker Marble Coffee Table  
TOV-OC18134

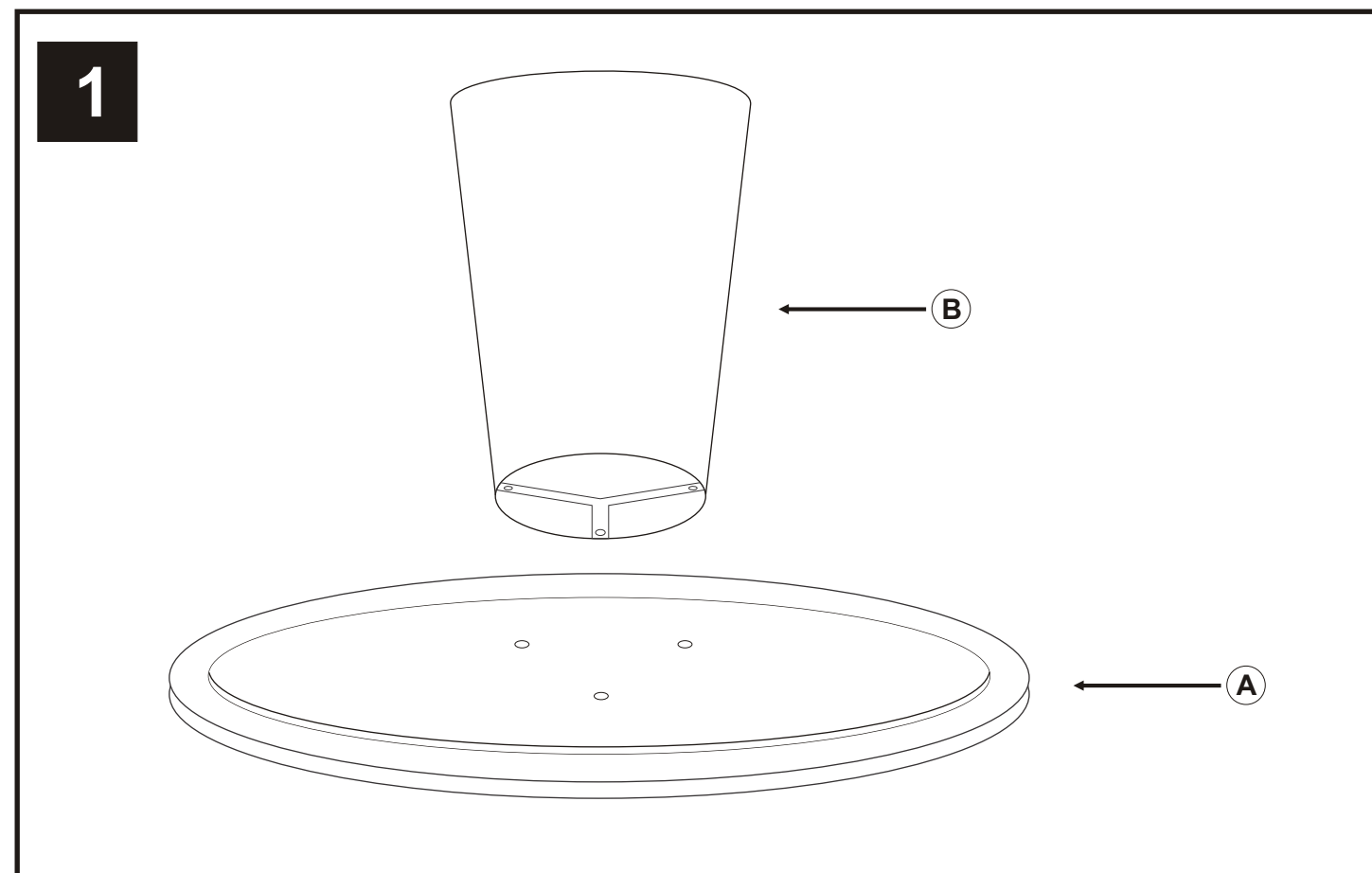
# TOV

**Bleeker**  
ASSEMBLY INSTRUCTIONS

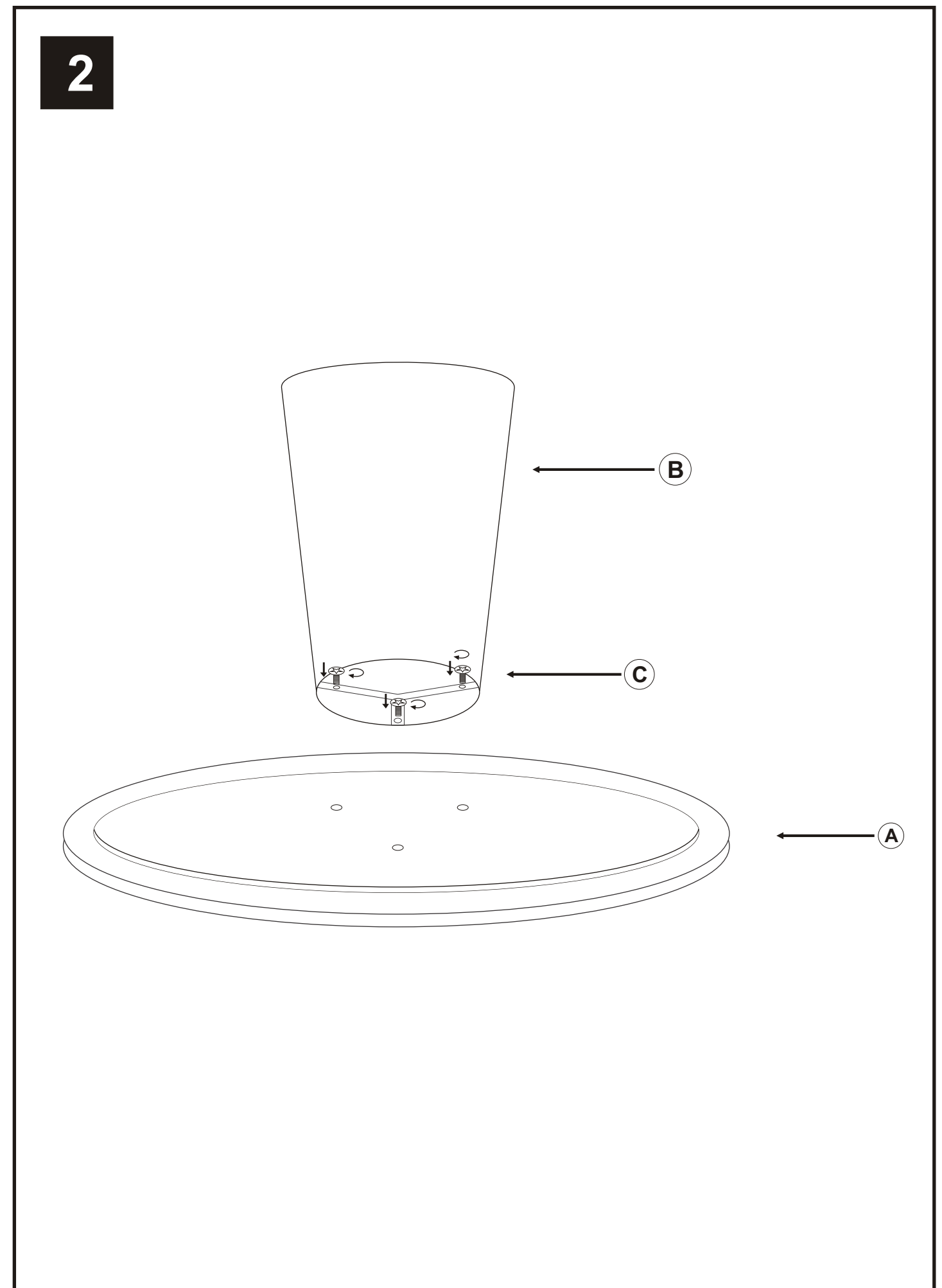


Part List and Hardware List

	DESCRIPTION	PICTURE	QUANTITY
A	MARBLE TOP		1
B	METAL BASE		1
C	SCREW		3
D	Allen key		1



STEP -1: PUT ( B ) ON ( A )



STEP -2: Use the Included Screws ( C ) to attach the base ( B ) to the top ( A )